

Product description

MAIN FEATURES

Cable end distributor for fiber optic cables in the 19" | 1 U format. The customizable rack was specially designed for the division of fiber optic cables. The pull-out drawer allows a convenient maintenance of the cables and serves as a generous storage space for the packaging of radii of the glass fibers. Thanks customized expansion variants, different plug connections and labels are possible.

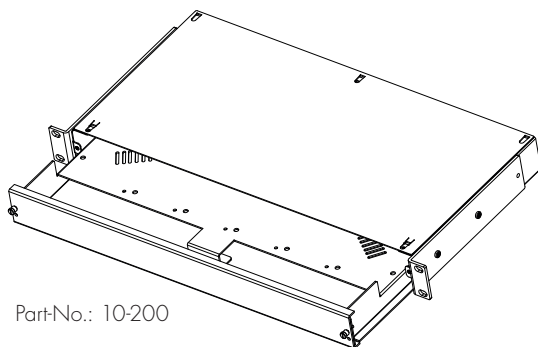
- › Light construction
- › Installation in every 19" chassis or rack system
- › Variable depth thru movable 19" angle bracket
- › Provided to hold splice trays or LWL-cable termination
- › Telescopic and tiltable pull-out tray
- › With cable storage
- › Option of cable fastening and entry prepared
- › Front resettable

SLIMKIT 10 FTTX



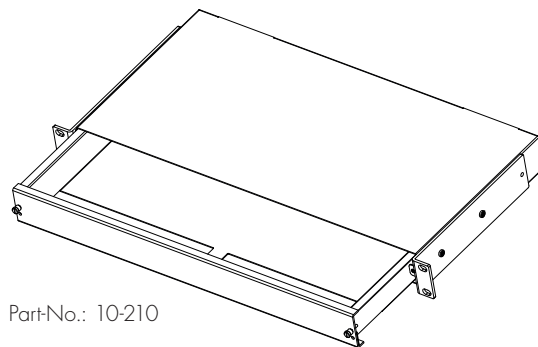
PRODUCT VARIETY

LWL – DISTRIBUTOR FOR SPLICE TRAYS



Part-No.: 10-200

LWL – DISTRIBUTOR FOR FIBER OPTIC CABLE TERMINATOR



Part-No.: 10-210

Executions

SIZES

- 1 U | 19" | 220 mm depth

Scope of delivery

- Steel sheet enclosure SVZ
- Front profile aluminum
- Reusable cardboard packaging

©Copyright 2018 by Elma Electronic AG, CH-8620 Wetzikon. Subject to technical modifications, all data supplied without liability.

Please contact our sales team for more details.

China: +86 21 5866 5908
 France: +33 388 56 72 50

Germany: +49 7231 97 34 0
 Israel: +972 3 930 50 25

Singapore: +65 6479 8552
 Switzerland: +41 44 933 41 11

United Kingdom: +44 1234 838 822
 United States: +1 510 656 3400