

WELDED MIL COMPLIANT CABINETS

MS-SERIES

DESCRIPTION

The modular design Optima Stantron's M-Series MIL-STD Cabinet System for military systems offers a high level of performance and integrity. Beyond the cabinets all-welded 12 gauge steel frame construction are eight, 3-dimensional support braces (12 gauge), one at each corner intersection, providing added resistance to demanding compressive and torsion loads routinely experienced in MIL environments. The cabinets ship standard with crane lifting eyes mounted directly through the top corner support braces.

Each application requires engineering review for environmental specifications and equipment loads. The design includes a wide selection of options for doors, side panels, top covers, bottom panels, cooling, I/O cabling, floor mounting and casters.

FEATURES

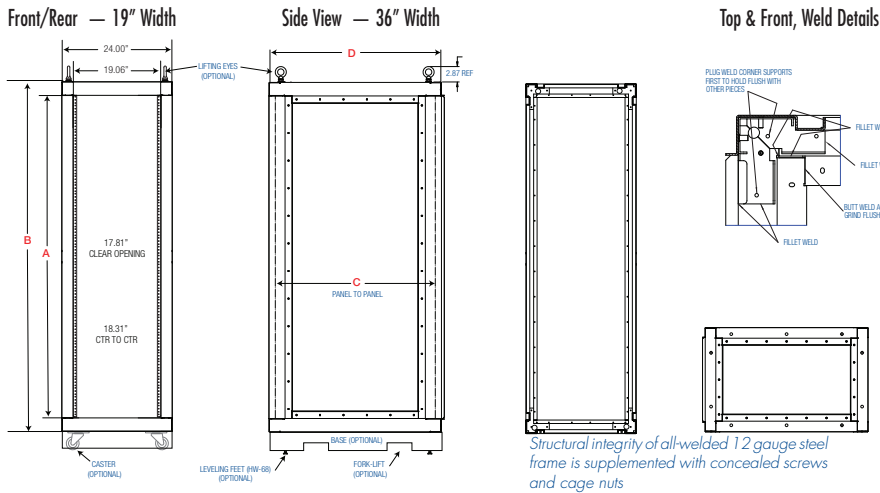
- 12 gauge all welded frame construction
- 3-Dimensional support braces (12 gauge)
- Crane lifting eyes, floor mounting and shock isolators tied directly through corner braces
- Removable top and side panels (16 gauge, with concealed screws and cage nuts)
- Adjustable mounting rails (12 gauge)
- Heavy-duty, zinc die-cast door hinge with 1/4" stainless steel pivot pins
- Single-handed, 4-point latching system
- Honeycomb air intake filters
- EMI/RFI suppression via tin coated, copper-clad steel wire mesh knitted over a double silicon elastomer core

BENEFITS

- Designed to meet MIL-STD: 461D, 810F, 167, 901D
- Custom engineering support
- 4 x crane lifting eyes rated to 1,000 lbs each
- Optional castors, fixed floor or shock isolation mounts
- Fork lift provisions
- Removable I/O panels standard
- Optional shielded plexiglass doors and windows
- Integrated cooling, cabling and power management



DRAWING



ORDER INFORMATION

Please contact us at sales@elma.com or 770-496-4000 for specific model configurations.

STANDARDS CONFORMANCE

Optima Stantron's S-Series cabinet is compliant with the following specifications:

- MIL-STD-901D
- MIL-STD-461
- MIL-STD-810F
- MIL-STD-167
- MIL-STD-188

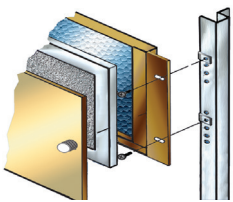
U	A		B	C	D
	inch	mm			
12	21.12	536.45	24.12	612.65	24.00" / 25.50"
16	28.12	714.25	31.12	790.45	(609.60mm) / (647.70mm)
20	35.12	892.05	38.12	968.25	
24	42.12	1069.85	45.12	1146.05	30.00" / 31.50
30	52.62	1336.55	55.62	1412.75	(762.00mm) / (800.10mm)
35	61.38	1559.05	64.38	1635.25	
40	70.12	1781.05	73.12	1857.25	36.00" / 37.50
44	77.12	1958.85	80.12	2035.05	(914.40mm) / (952.50mm)

Note: ± .03 tolerance for all dimensions above.

SCOPE OF SUPPLY

Basic cabinet includes: 1 x frame, 2 x mounting rails (pairs, with 10A clip nuts and panel screws), 1 x base, 1 x top panel, painted and assembled

RELATED PRODUCTS



Grille & Filter Assemblies



Special EMC Handle(cast aluminum) Low Profile



Shock Isolators

Optima Stantron's MS-Series cabinets can be used in a wide range of applications.

- Rugged mobile air/ground/water / equipment installations
- Rugged mobile test/measurement equipment
- Shipboard communications

© Copyright 2020 by Elma Electronic Inc. Subject to technical modifications, all data supplied without liability.

Please contact our sales team for more details.

United States: +1 510 656 3400
 France: +33 388 56 72 50

Germany: +49 7231 97 34 0
 Israel: +972 3 930 50 25

Singapore: +65 6479 8552
 Switzerland: +41 44 933 41 11

United Kingdom: +44 1234 838 822