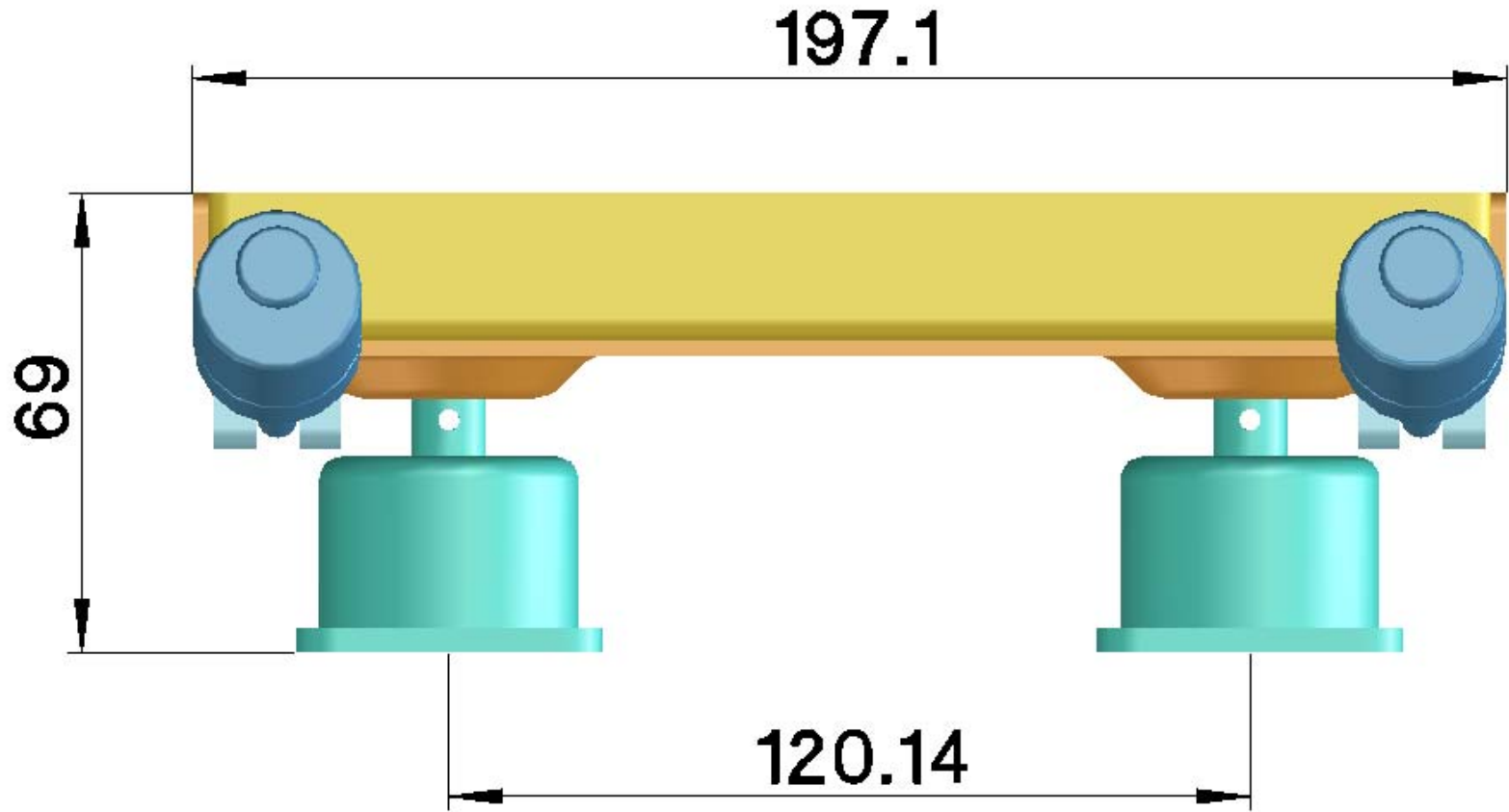
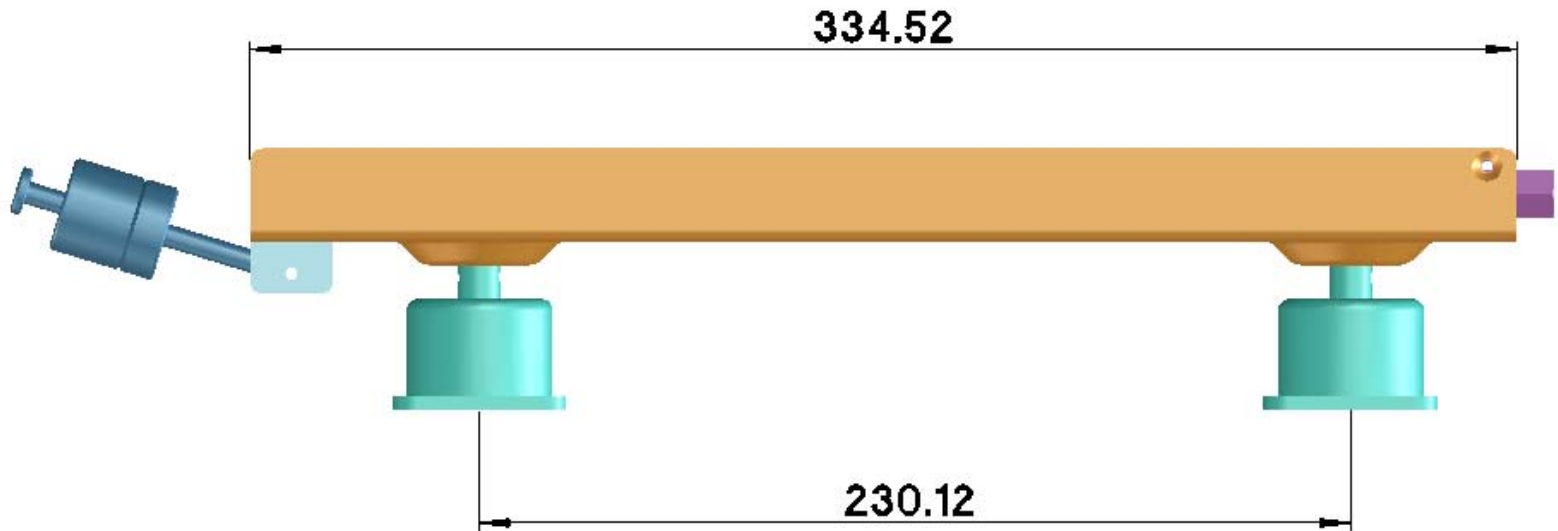


Front View



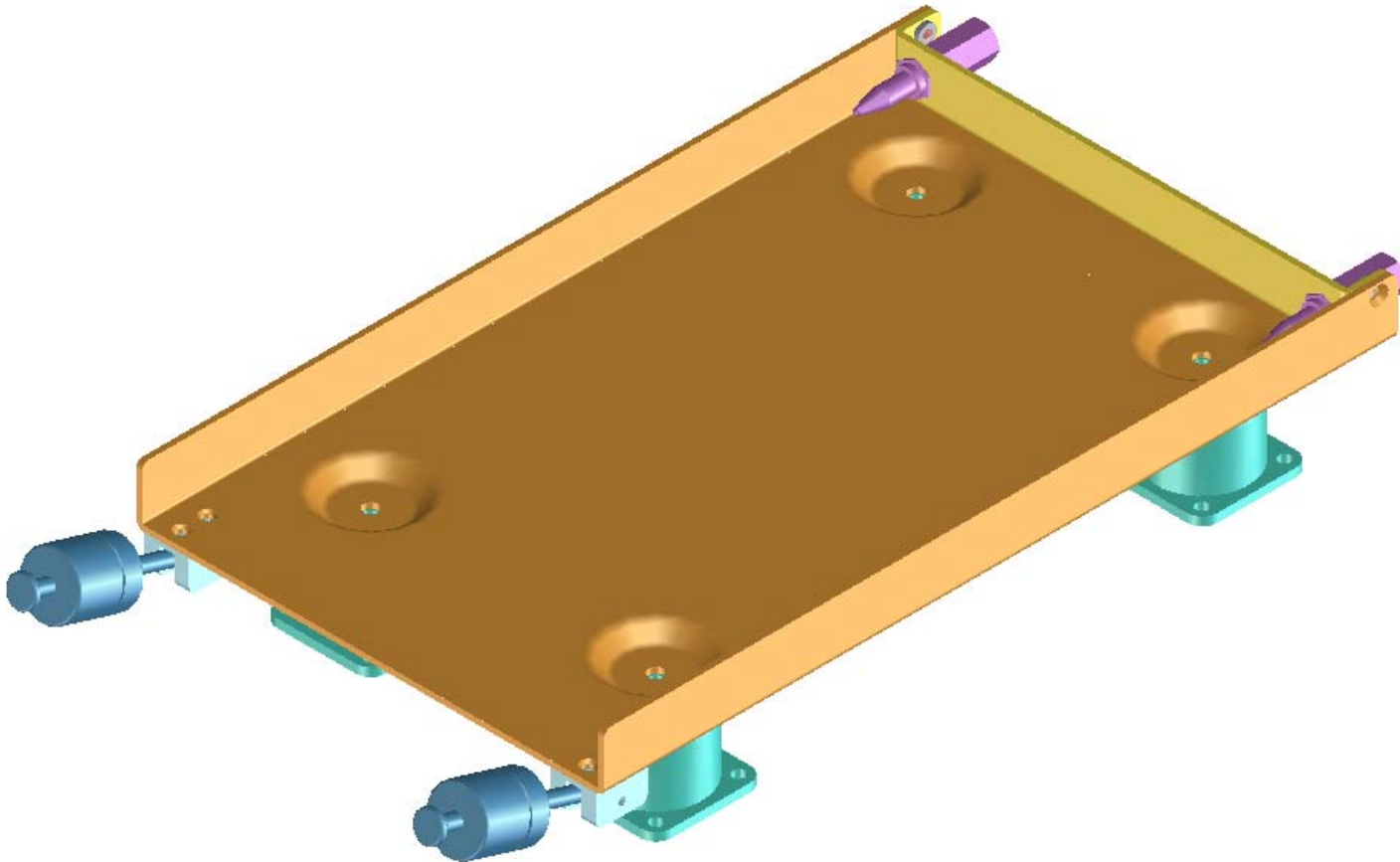
Right Side View



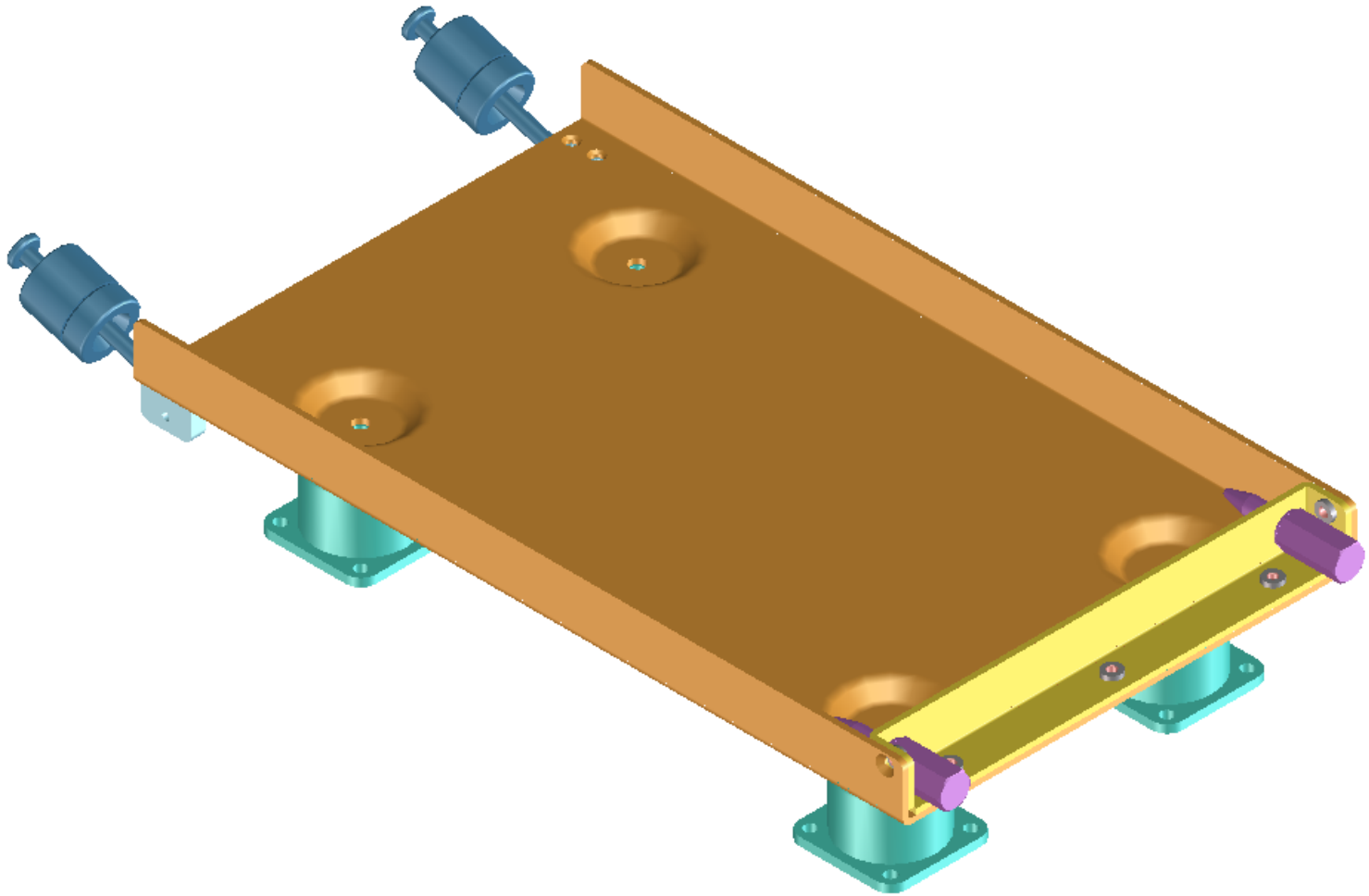
Back View



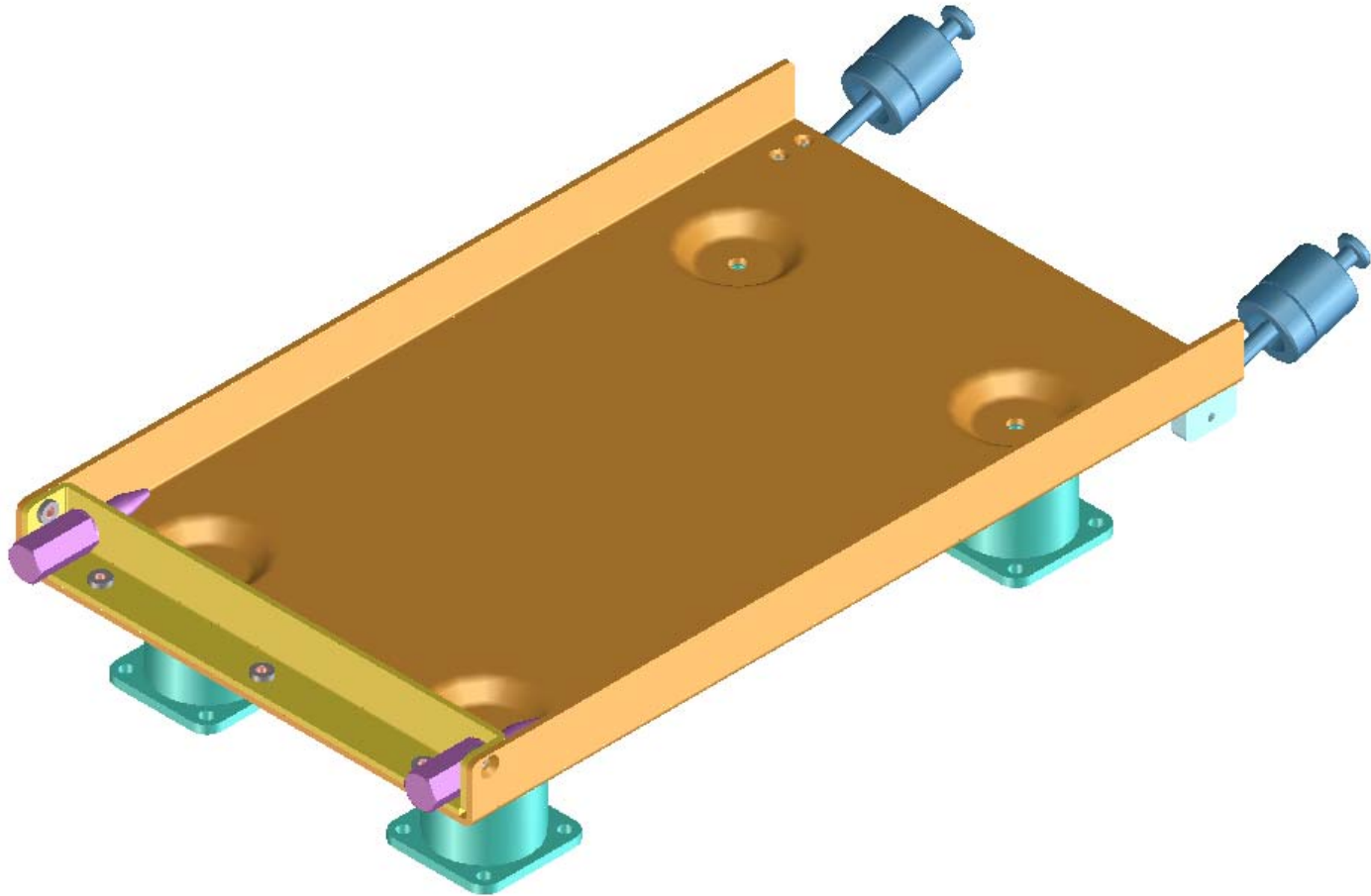
Isometric View (Front, Right, Top)



Isometric View (Back, Right, Top)



Isometric View (Back, Left, Top)



Isometric View (Front, Left, Top)

