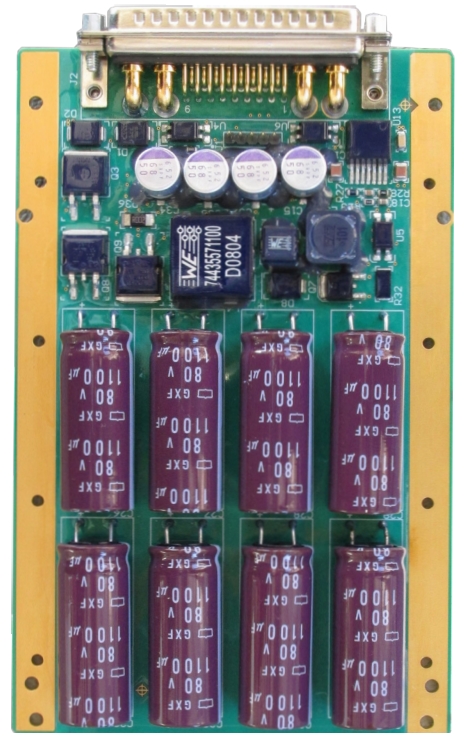
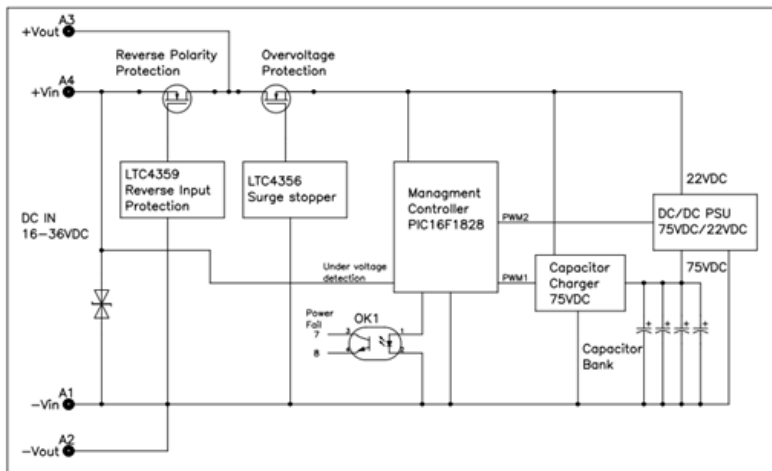
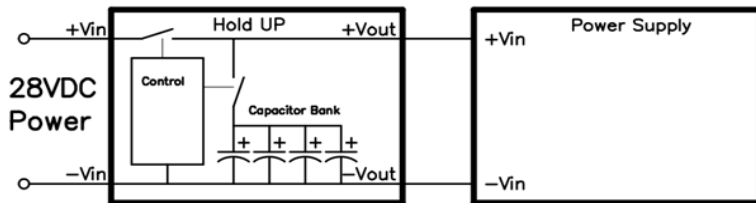


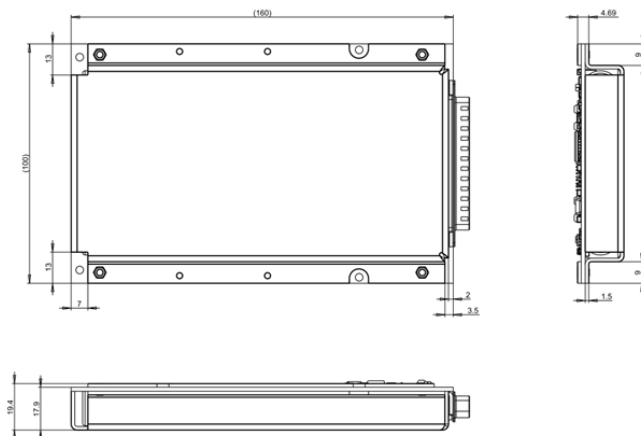
**DESCRIPTION**

In normal operation, the input voltage will feed thru to the PSU and the hold-up capacitors will be charged. In case of a voltage drop of the input voltage, the input voltage will be disconnected and the PSU will be supplied by the hold-up capacitors.



**MECHANICAL DETAILS**

The Hold Up board is available as a fixed mounted and a plugged version. For conducted cooled chassis, additional wedge locks can be mounted.



**Mating connectors**

Fixed mounted version: FCT FL21WA4S7-K1 21

Pluggable version (PCB): FCT FM21WA4P22-1 277

**Part numbers**

Hold-Up Module PCB only w/o cover: 055-149

Hold-Up Module with additional cover: 064-474

**INPUT CHARACTERISTICS**

---

Input voltage	16-36 VDC
Over voltage protection	according MIL-STD 704A-F
Electromagnetic compatibility	according MIL-STD 461F
Reverse voltage protection	max. -40 VDC
Inrush current	max. 3,5 A
Capacitors load current	max. 1,5 A

**GENERAL SPECIFICATIONS**

---

Maximum provided power	330 W
Hold up time	according MIL-STD 704 / DO160, 50ms for up to 330 W
Under voltage trigger level	17,3 VDC

**ENVIRONMENTAL**

---

Operating temperature	-40 +85°C
Storage temperature	-40 +85°C
Humidity	95% non condensing
Shock	MIL-STD-810F
Vibration	MIL-STD-810F