

VITA 46.11 CHASSIS MANAGER SOURCE CODE

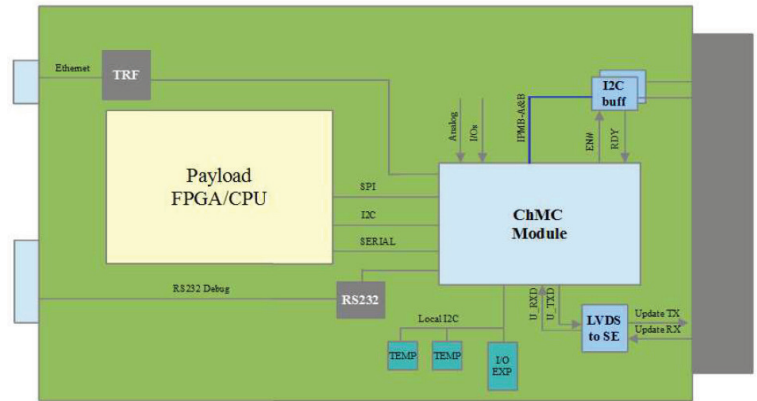
DESIGNED IN ALIGNMENT WITH THE SOSA™ TECHNICAL STANDARD

DESCRIPTION

Elma's SOSA aligned VITA 46.11 Chassis Manager is available as a source code license for integration into custom Chassis Manager implementations. System integrators are free to modify the sources to meet their particular mission requirements or to add custom features.

Elma's Chassis Manager is designed in alignment with the SOSA Technical Standard Revision 1.0, and includes full support for the SOSA defined range of Tier 1, Tier 2, and Tier 3 commands, as well as the new Firewall commands.

Elma's Chassis Manager is designed for hosting on an NXP iMXRT1171 microcontroller, and is the same code base used in our award-winning chassis manager products.



Example block diagram of VPX ChMC Card Implementation

SUPPORTED FEATURES

- IPMI Chassis Manager with redundant IPMB
- Supports the full range of Tier 1, 2, and 3 commands called for in the SOSA Technical Standard, including the new Firewall functions.
- Compliant with IPMI 2.0
- Builtin Test (BIT) and Continuous Test (CBIT)
- Dual Ethernet
- 16 digital inputs and 16 configurable digital outputs
- Power management
- Cooling control
- Sensor Event Log
- Input voltage: 3.3VDC

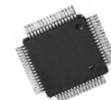
APPLICATIONS

Elma's chassis management products can be used in a wide range of embedded computing applications including high performance defense, aerospace, high energy physics, instrumentation, manufacturing, and telecommunications. Aligned with the SOSA Technical Standard Version 1.0, the Elma Chassis Manager Source package provides the means to quickly and easily achieve SOSA alignment while providing a baseline for adding custom features to your system management solution.

RELATED PRODUCTS



1/2 ATR Deployable Chassis



IPMI Controller Chip



Conduction-Cooled Chassis Manager with Front Panel I/O

VITA 46.11 CHASSIS MANAGER SOURCE CODE

DESIGNED IN ALIGNMENT WITH THE SOSA™
TECHNICAL STANDARD

CONSTRAINTS

The Elma SOSA aligned ChMC Software was developed for an NXP iMXRT1171 microcontroller: The software implements a Tier 2 ChMC compliant to the VITA 46.11 System management on VPX specification.

STANDARDS COMPLIANCE AND ALIGNMENT

Elma's Chassis Management product family is compliant with the following specifications:

- VITA 46.11-2022, VPX Chassis Management
- IPMI v1.5 and 2.0 Intelligent Platform Management Specification

ORDER INFORMATION

Description	Part Number
VPX ChMC Software Source Code	79-V46-CHMC-SW-S1

© Copyright 2023 by Elma Electronic, Inc. Subject to technical modifications, all data supplied without liability.

Please contact our sales team for more details.

United States: +1 510 656 3400
France: +33 388 56 72 50

Germany: +49 7231 97 34 0
Israel: +972 3 930 50 25

Singapore: +65 6479 8552
Switzerland: +41 44 933 41 11

United Kingdom: +44 1234 838 822