

IPMI CONTROLLER

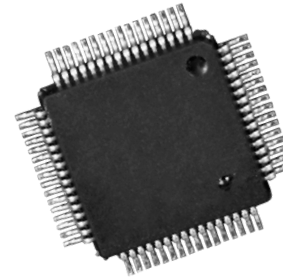
AXIE, ATCA, CPCI SERIAL AND VPX SYSTEMS

DESCRIPTION

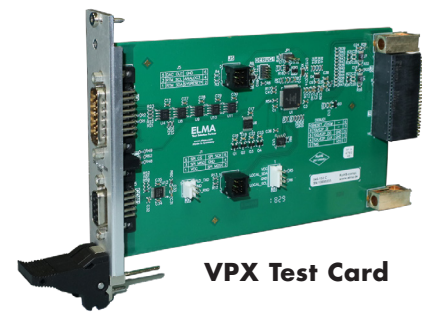
The IPM Controller software is pre-programmed on a Freescale K10 microcontroller and provides all intelligent platform management interface (IPMI) functionality required by the VITA46.11, PICMG 3.0 and AXIe 1.0 specifications.

Together with Elma's Shelf Manager, the microcontroller and software form a complete system monitoring and management solution for all field replaceable units (FRUs) including cards, cooling units, power supplies etc. The software package includes intuitive FRU and sensor data record (SDR) GUI compilers for easy configuration of the IPM Controller.

The Controller functionality can be added by incorporating the microcontroller into the design of any FRUs to be monitored. Elma's IPMI Controller can be used in AXIe, ATCA, cPCISerial and VPX systems.



IPMI Controller Chip



VPX Test Card

FEATURES

- Supports both IPMB-A and IPMB-B
- Part of complete system monitoring and management solution including Elma's shelf manager board
- Pre-programmed IPMI software delivered on a Freescale K10 microcontroller
- Analog inputs for voltage current or temperature measurements
- External I2C for temperature measurements and communication with payload
- Inputs for digital sensors
- Outputs for E-keying (PICMG 3.0)
- External thermal-diode for monitoring FPGA or in-chip sensors
- Hot swap switch input LEDs and payload power control outputs
- Serial interface for debug, firmware update and configuration. The firmware update is supported also over IPMB
- Reference schematic
- GUI software for fast and easy configuration
- Small footprint 10 x10mm in a TQFP64 package
- Source Code option is available

SENSORS

The IPMI Controller supports multiple sensors. Each one has a predefined sensor number and if used, has an SDR associated with it. Using the set of SDRs, the IPMI software knows what sensors are implemented by the FRU and how to monitor them.

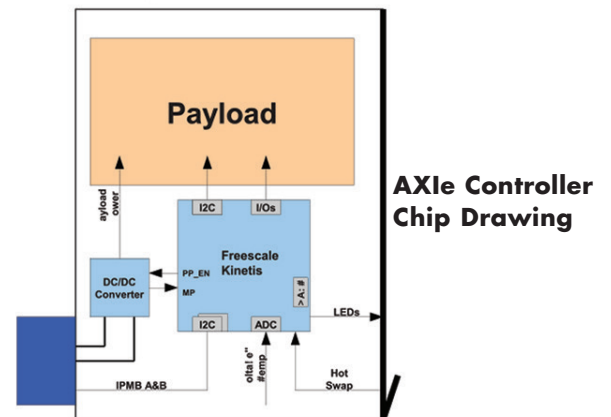
APPLICATIONS

Elma's system management products for AXIe, ATCA, cPCI Serial and VPX systems can be used in a wide range of embedded computing applications including high performance instrumentation, defense, aerospace, high energy physics, manufacturing, telecommunications as well as others.

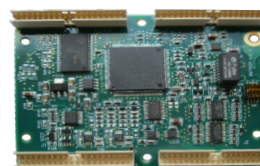
Example Order Number: SM-VP-CC-INT

IPMI Controller and controller software

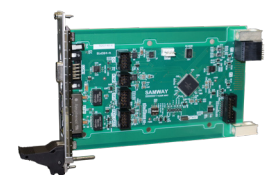
BLOCK DIAGRAM



RELATED PRODUCTS



System Shelf Manager



3U Air Cooled Cahssis Manager

IPMI CONTROLLER

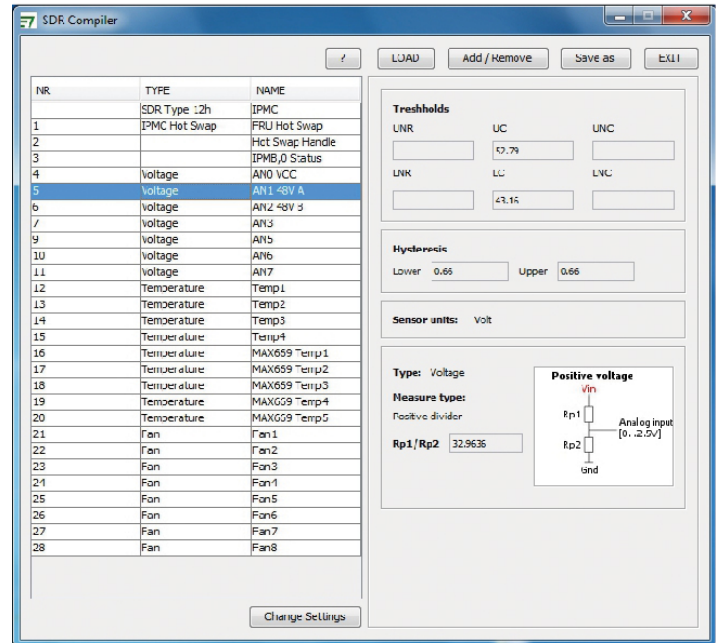
AXIE, ATCA, CPCI SERIAL AND VPX SYSTEMS

GRAPHICAL FRU/SDR COMPILER

The IPMI Controller uses standard, IPMI compliant FRU and SDR records to monitor the FRU parameters such as:

- Health monitoring
- Voltages
- Fan RPM
- Power management
- Temperature
- Serial numbers
- Part numbers
- Software versions

The SDR repository of a FRU will be a software image of the hardware sensors. Different FRUs have different setup requirements so in order to allow a quick and simple set-up, a GUI SDR compiler is provided.



SDR Compiler

STANDARD CONFORMANCE

The IPMI Controller uses standard, IPMI compliant FRU and SDR records to monitor the FRU parameters such as:

- IPMI v1.5, Intelligent Platform Management Interface Specification
- PICMG 3.0 R3.0, Specification for Advanced Telecommunications Computing Architecture (ATCA)

- AXIe-1 R2.0, AXIe-1 Base Architecture Specification
- VITA 46.11, VPX System Management

ORDER INFORMATION

Description

IPMI Controller and controller software for AXIe Systems

IPMI Controller and controller software for VPX Systems

IPMI Controller and controller software for AdvancedTCA Systems

IPMI Controller and controller software for CompactPCI Serial Systems

IPMI Controller Software Source Code

VPX Test card (CAE050357)

Model Number

IPMI-C-AX

IPMI-C-VP

IPMI-C-AT

IPMI-C-CS

79-V46-CHMC-SW

69-3165BC-TC

© Copyright 2021 by Elma Electronic, Inc. Subject to technical modifications, all data supplied without liability.

Please contact our sales team for more details.

China: +86 21 5866 5908

Germany: +49 7231 97 34 0

Singapore: +65 6479 8552

United Kingdom: +44 1234 838 822

France: +33 388 56 72 50

Israel: +972 3 930 50 25

Switzerland: +41 44 933 41 11

United States: +1 510 656 3400