

# Type 15C Rack mountable Chassis System Overview

## Description

Elma Type 15C family of enclosures provide an elegant and versatile platform for packaging desktop or rack mount Compact PCI (2.0, 2.16, 2.17, 2.20) applications. Designed to IEEE 1101.10/.11 standards, Type 15C enclosures give advanced EMC shielding protection and are available with a wide range of options. Based on a modular packaging approach, the system can be configured by selecting the backplane, PSU, device modules and the number of slots. Engineered for superior cooling the Type 15C is available with either front to rear or bottom to top airflow. Standard heights are 4U, 9U and 10U with custom sizes possible. The Type 15C will accept 3U or 6U cards mounted vertically or horizontally. Systems can be configured with or without rear I/O card cage. The basic chassis features powder coated covers for a scratch resistant, attractive finish with tilt feet and handles standard on most models.

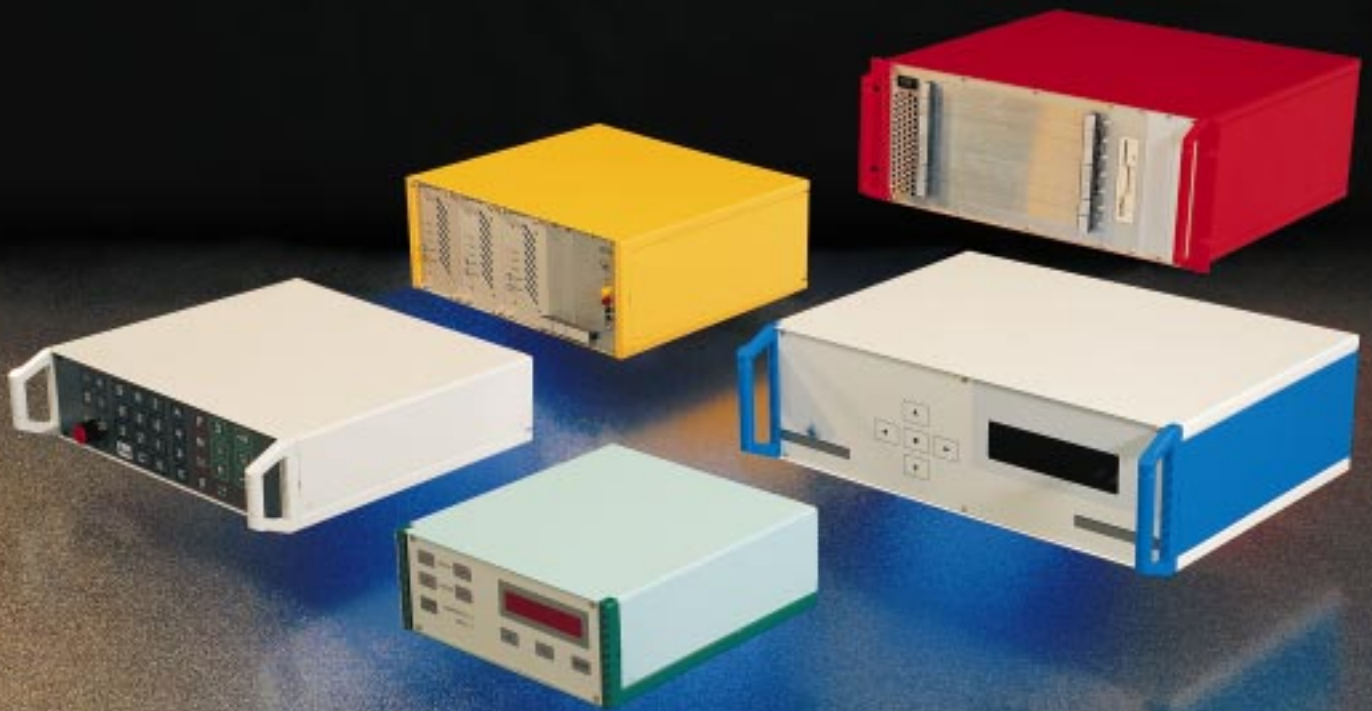
## Technical Features

- Dimensions according to IEEE 1101.10/.11
- Elegant design
- Scratch resistant powder coat finish (light grey, RAL 7035)
- Front mount handles
- 160mm/80mm card guides with keying and ESD clip
- Advanced EMC shielding
- Easy access for maintenance
- Aluminum sides and extrusions, galvanized steel covers
- Rugged for industrial use
- Designed to meet UL, CE, FCC Class A and NEBS requirements

## Configuration Options

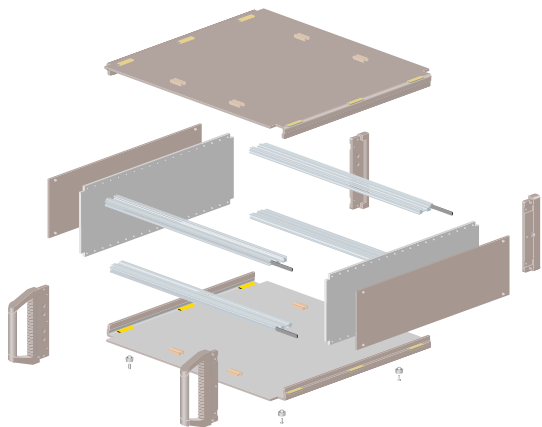
- Compatible with PICMG: 2.0, 2.16, 2.17, 2.20
- H.110 Optional
- Mounting for 3U or 6U cPCI cards
- Vertical or horizontal card mounting (flush or recessed)
- Available heights 4U to 10U
- Rear I/O Standard
- Standard 4, 6,8 and 16 slot backplanes
- Wide range of EMC shield peripheral modules
- Wide range of PSU options: fix mount, plug in, N+1
- 90-240VAC or 48VDC input
- Shelf Management: PICMG 2.9, IPMI





## Type 15C

Type 15C provides maximum flexibility. Boards and modules can be inserted from front to rear.



## Typical Attenuation for Type 15

- EMC basic level case size 4U x 424P x 245 mm (9.64") with standard front panels (cover panels perforated and unperforated)
- EMC basic level case size 4U x 84P x 395 mm (18.50") with standard front panels (cover panels perforated and unperforated)
- advanced EMC level case size 4U x 84P x 395 mm (18.50") with EMC front panels and gasket set for advanced EMC level (cover panels perforated and unperforated)
- superior EMC level case size 4U x 84P x 395 mm (18.50") with EMC front panels and gasket set for superior EMC level (cover panels perforated and unperforated)

