

3U 9-SLOT OpenVPX BACKPLANE

BKP3-CEN09-15.2.11-N

DESCRIPTION

This 3U OpenVPX backplane features 9 slots, a centralized data plane topology with a data rate of up to 6.25 Gbps. Optional RTM connectors (rear transition modules) for rear I/O support. Our OpenVPX backplanes are designed in accordance with the relevant backplane profile descriptions provided within the current ANSI/VITA and ANSI/VITA 65 standards.

Features

- Compliant to ANSI/VITA 65-2012 and ANSI/VITA 46.0-2013
- Slot pitch 1.0"
- Single star routing topology
- High speed Velox connectors
- Rugged Eurocard form factor in 3U height
- Provides built in ESD ground protection in every slot

Board Specifications

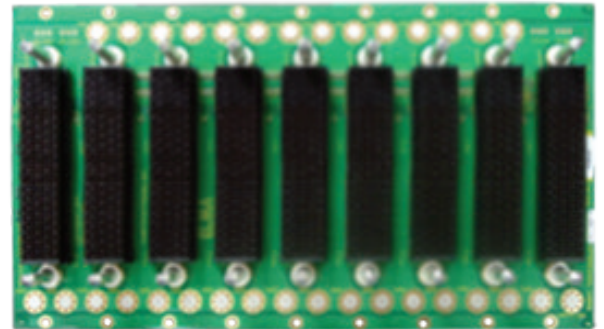
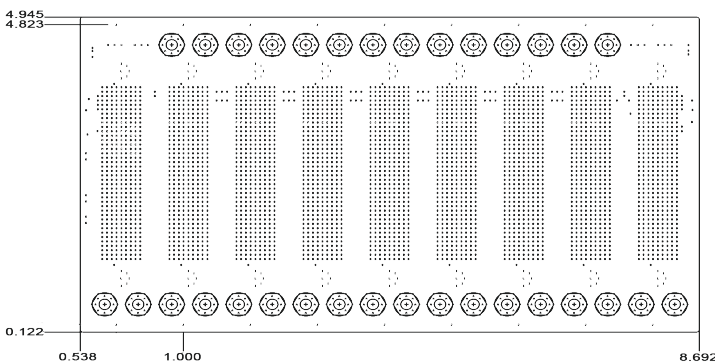
- 16 layers
- 1 oz power and ground layers
- PCB Nelco 4000-13 Epsi or equivalent
- PCB 0.212" thick

Mechanical Specifications

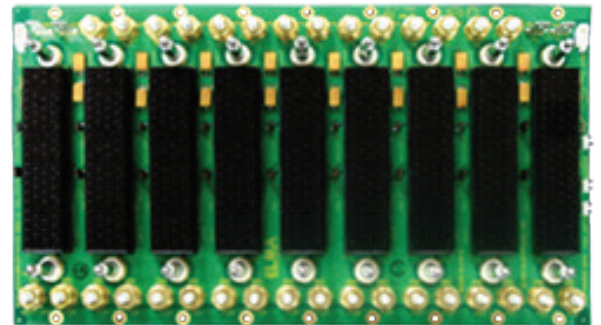
- 3U height
- 9 slots
- 5.067" tall X 9.230" wide

DRAWINGS

BACKPLANE DESIGN



Front View



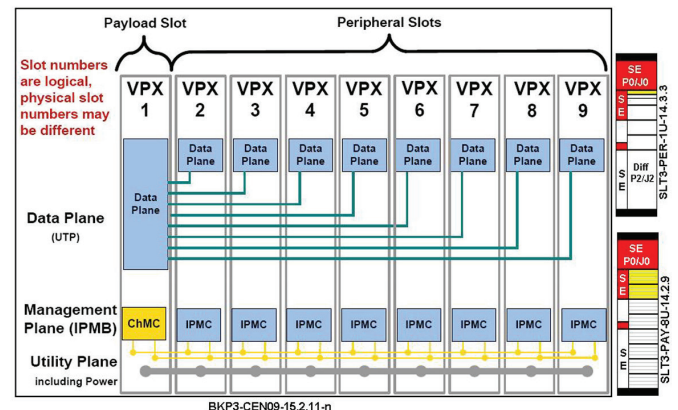
Rear View

Slot Profiles

- Slot 1 SLT3-PAY-8U-14.2.9
- Slots 2-9 SLT3-PER-1U-14.3.3

TOPOLOGY

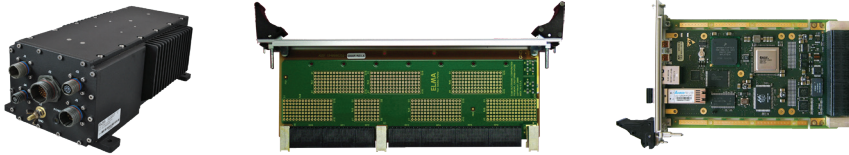
BACKPLANE DESIGN



APPLICATIONS

- › Integrated display processing, mission management and navigational control for avionics systems
- › Industrial monitoring, medical equipment, and night-vision systems requiring enhanced graphics capabilities
- › Shipboard systems for target tracking and high definition displays
- › Applications requiring a mix of I/O options, high compute density and enhanced graphics

RELATED PRODUCTS



- › Load boards convection or conduction cooled
- › Rear Transition Modules for I/O
- › Intel & Freescale Single Board Computers
- › Blade level networking boards (Ethernet, PCI Express)
- › Rackmount, desktop, and ATR chassis platforms
- › Ruggedization programs

ORDER INFORMATION

Height	Total Slots	Description	Profile Number	Part Number
3U	9	VPX Single star with data plane switch, channel Gbaud rate up to 6.25.	BKP3-CEN09-15.2.11	1OVX309LZ3-1X11R

© Copyright 2019 by Elma Electronic, Inc. Subject to technical modifications, all data supplied without liability.

Please contact our sales team for more details.

China: +86 21 5866 5908
France: +33 388 56 72 50

Germany: +49 7231 97 34 0
Israel: +972 3 930 50 25

Singapore: +65 6479 8552
Switzerland: +41 44 933 41 11

United Kingdom: +44 1234 838 822
United States: +1 510 656 3400