

# Elma User Manuals: 060-392 3U/200W power supply for military application

SYSTEM SOLUTIONS

BACKPLANES

ENCLOSURES

ROTARY SWITCHES

CABINETS

# 3U /200W VPX power supply



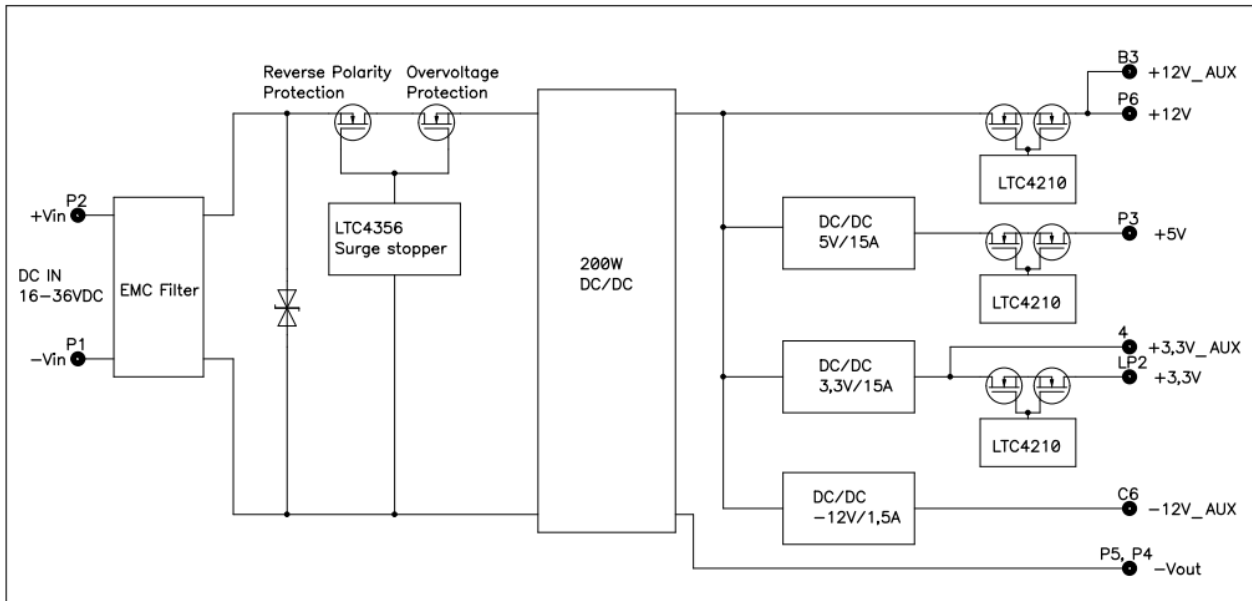


Figure 1 Block diagramm

Input Specifications

Input voltage	16-36 VDC
Over voltage / transient protection	according MIL-STD 704A-F/ DO-160 / MIL-STD-1275E
Lighting Protection	according DO-160 Level 4
Electromagnetic compatibility	according MIL-STD 461F
Reverse voltage protection	max. -60 VDC
Inrush current	max. 6 A
Efficiency	90%
Internal Fuse	25A / 63VDC Time-Lag T Schurter 3413.0332.22

Output Specifications

Maximum provided power	200 W
+12V	16,7A
+5V	15A
+3,3V	15A
+3,3V_AUX	2A
+12V_AUX	1,5A
-12V_AUX	1,5A

Remote Control

EN# Enable	Connecting to GND will cause a switch on of all voltages
INH# Inhibit	Connecting to GND will cause a switch off of all voltages except the 3,3V_AUX

**Environmental**

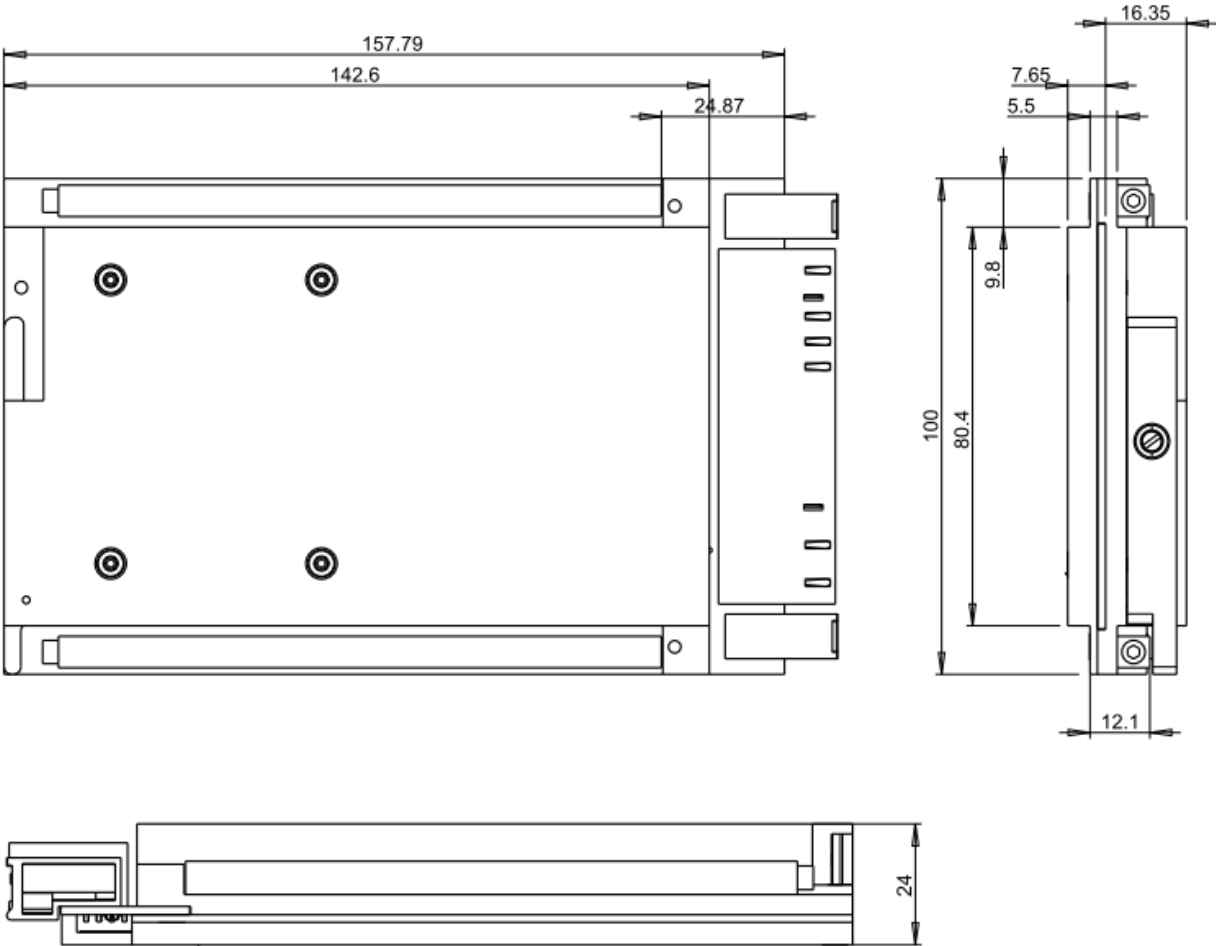
Operating temperature	-40 +85C°
Storage temperature	-55 +85°C
Humidity	95% non condensing
Shock	MIL-STD-810F
Vibration	MIL-STD-810F

**Pin assignment of the power connector**

Pin #	Name	Pin #	Name
P1	-DC_IN	A7	NC
P2	+DC_IN	B7	NC
LP1	CHASSIS	C7	NC
C2	Inhibit	D7	Signal Return
D2	Enable	P3	+5V OUT
B3	+12V_AUX	P4	Power Return
A4, B4, C4, D4	+3,3V_AUX	P5	Power Return
C6	-12_AUX	LP2	+3,3V Out
		P6	+12V OUT

Mechanical Details

The VPX power supply is designed in 3U/5HP dimensions for conducted cooled chassis. The power supply is designed with a VITA 62 3U power connector Tyco 6450849-7.



Subject to errors and technical modifications. Copyright ELMA Electronic GmbH.



**Elma Electronic Inc.**  
44350 Grimmer Blvd.  
USA-Fremont, CA  
94538  
Tel. +1 510 656-3400  
Fax +1 510 656-3783  
sales@elma.com

**Elma Electronic AG**  
Hofstrasse 93  
Postfach  
CH-8620 Wetzikon  
Tel. +41 44 933 41 11  
Fax +41 44 933 42 15  
sales@elma.ch

**Elma Electronic GmbH**  
Stuttgarter Str. 11  
75179 Pforzheim, Germany  
Tel. +49 7231 97 34 0  
Fax +49 7231 97 34 97  
info@elma.de

**Elma Electronic  
Technology (Shanghai)  
Co., Ltd.**  
Building#11, No.198  
Chang Jian Road  
Bao Shan District  
Shanghai, 200949, PRC  
Tel. +86 21 5866 5908  
Fax +86 21 5866 5918  
sales@elmachina.com

**Elma Electronic Israel  
Ltd.**  
34, Modi'in St.  
Sgula I.Z., Petach-Tikva, 49271  
IL Tel. +972 3 930 50 25  
Fax +972 3 931 31 34  
sales@elma.co.il

**Elma Electronic UK Ltd.  
Solutions House**  
Fraser Road, Priory Business  
Park Bedford, MK44 3BF  
Tel. +44 1234 838822  
Fax +44 1234 836650  
sales@elma.co.uk

**Elma Electronic  
France SA**  
ZA du Buisson Rond  
F-38460 Villemoirieu  
Tel. +33 4 37 06 21 10  
Fax +33 4 37 06 21 19  
sales@elma-electronic.fr

**Elma Asia Pacific Pte. Ltd.**  
8 Ubi Road 2  
#07-14  
Zervex Building  
Singapore 408538  
Tel. +65 6479 8552  
Fax +65 6479 8662  
sales.elmaap@elma.com.sg

**YOUR LOCAL SOLUTION PARTNER**

