

Product description

An attractive look in the environment makes working more beautiful and therefore more efficient. The compact design enclosure Compact Case 20 packs all the technology perfectly, because it is a flexible, robust and high-quality aluminum case for measuring devices, control and service applications. It is suitable for both stationary and mobile use. The Compact Case 20 is available in three versions and several sizes. Scalable in depth, it offers perfectly adapted internal and external dimensions.



- › Attractive design
- › Aluminum sheet enclosure
- › Extruded black anodized side panels and clear anodized top and bottom panels
- › Four standard heights with different depths
- › Three different versions: Standard, comfort and rugged
- › Rugged version with covers made of elastomer, NBR 80 shore (RAL9005)
- › Optional EMC protection
- › Stackable

Product variety

- › 3 models: Standard, Comfort, Rugged
- › Embedded version
- › 2 plastic covers in PC, ABS for elevated aesthetic requirements
- › 4 rugged covers in elastomers for heavy loads
- › Optional increased EMC shielding (superior level)

Customizations

- › Size
- › EMC protection
- › Front and rear panels

EMC protection

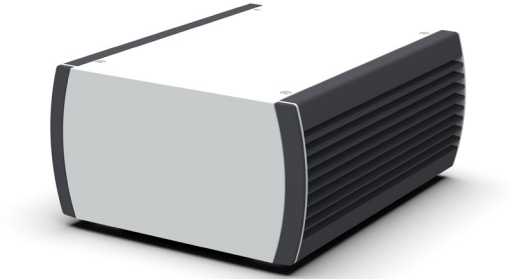
The standard version of Compact Case 20 offers conductively connected enclosure parts without additional seals. To increase the EMC shielding, optional versions with EMC gaskets are available.

Applications

- › Test and measuring devices
- › Medical equipment
- › Audio and studio equipment
- › Applications in harsh environments

Embedded version

Specially designed for applications with embedded controllers or other electronic applications, the new design variant offers additional features. Special fins on the convex side walls can dissipate heat from the components fastened inside. The flat inside of the side walls is also equipped with a groove for threaded strips or square nuts. These make it easier to attach built-in components and even allow entire printed circuit boards to be inserted. In addition to the fresh design, the ribs ensure the stackable housing has an ideal grip.



- › Size XS (60mm height) & S (90mm height)
- › Front panels: Standard, comfort, rugged
- › Cooling fins
- › Slots for threaded strips 2x6 mm (M2.5 / M3) or PCB mounting
- › Optional EMC version
- › Sidewall / Fins black anodized
- › Stackable

Product variety

- › 3 models: Standard, Comfort, Rugged
- › Optional increased EMC shielding (superior level)
- › Several depth and width

Applications

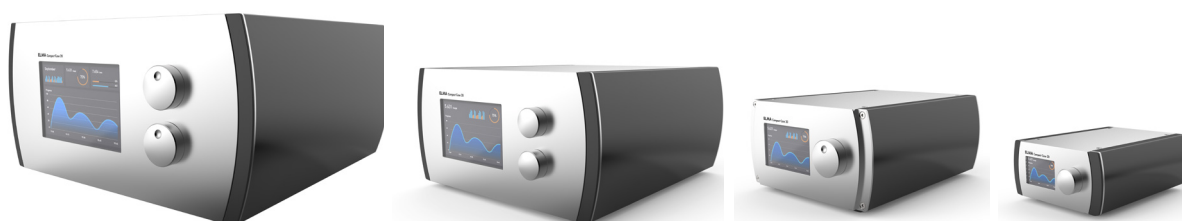
- › Audio equipment or set-top boxes
- › Embedded controllers

Product variations

Standard version

- > 4 standard sizes scaled in depth from 150 to 300 mm
- > Other dimensions on request

Size	Dimensions (W x H x D)	Compact case 20		
		Standard	Comfort	Rugged
XS	130 x 60 x 150 mm	20C-100-150	20C-101-150	20C-102-150
S	170 x 90 x 200 mm	20C-100-200	20C-101-200	20C-102-200
M	240 x 120 x 250 mm	20C-100-250	20C-101-250	20C-102-250
L	300 x 150 x 300 mm	20C-100-300	20C-101-300	20C-102-300



Embedded version

Size	Dimensions (W x H x D)	Compact case 20 embedded					
		Standard	Comfort	Rugged	Standard EMC	Comfort EMC	Rugged EMC
XS	130 x 60 x 150 mm	20C-105-150	20C-106-150	20C-107-150	20E-105-150	20E-106-150	20E-107-150
S	170 x 90 x 200 mm	20C-205-150	20C-206-150	20C-207-150	20E-205-150	20E-206-150	20E-207-150

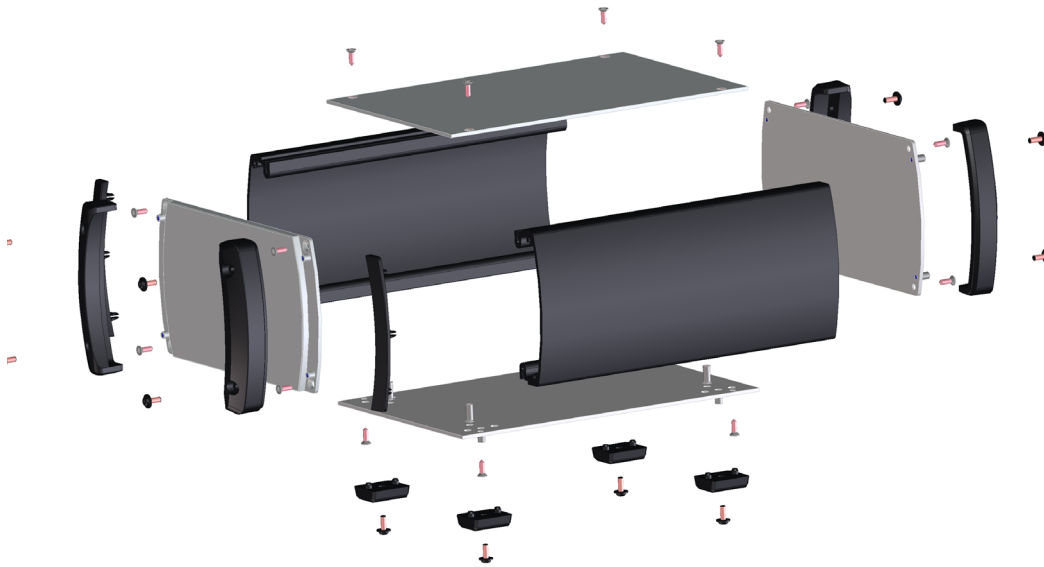


Colors

- > Aluminum: Silver with black anodized side wall profiles
- > Comfort and rugged versions with complementary black plastic covers
- > Other colors on demand

Product structure

Compact case 20



Compact Case 20 embedded

