

## TYPE 12H 12U RACKMOUNT



### FEATURES

- 19" rack mount, fully compliant to IEEE 1101.10/11
- 12U x 84HP x 400mm (H x W x D)
- 8, 16, 17 or 21 slot, PICMG: 2.0, 2.16, 2.17, 2.20 backplanes (H.110 optional)
- Redundant cooling, front to rear
- 2 x removable fan trays (3 x 118 CFM each), with air filter
- Advanced EMC shielding to meet CE, FCC Class A and NEBS
- PSU inputs (90 - 264 VAC or 48 VDC)
- PSU options: Up to 3 x 600 W, Plug in, N+1
- Shelf Management: PICMG 2.9, IPMI (optional)
- Ready to run - turnkey solution

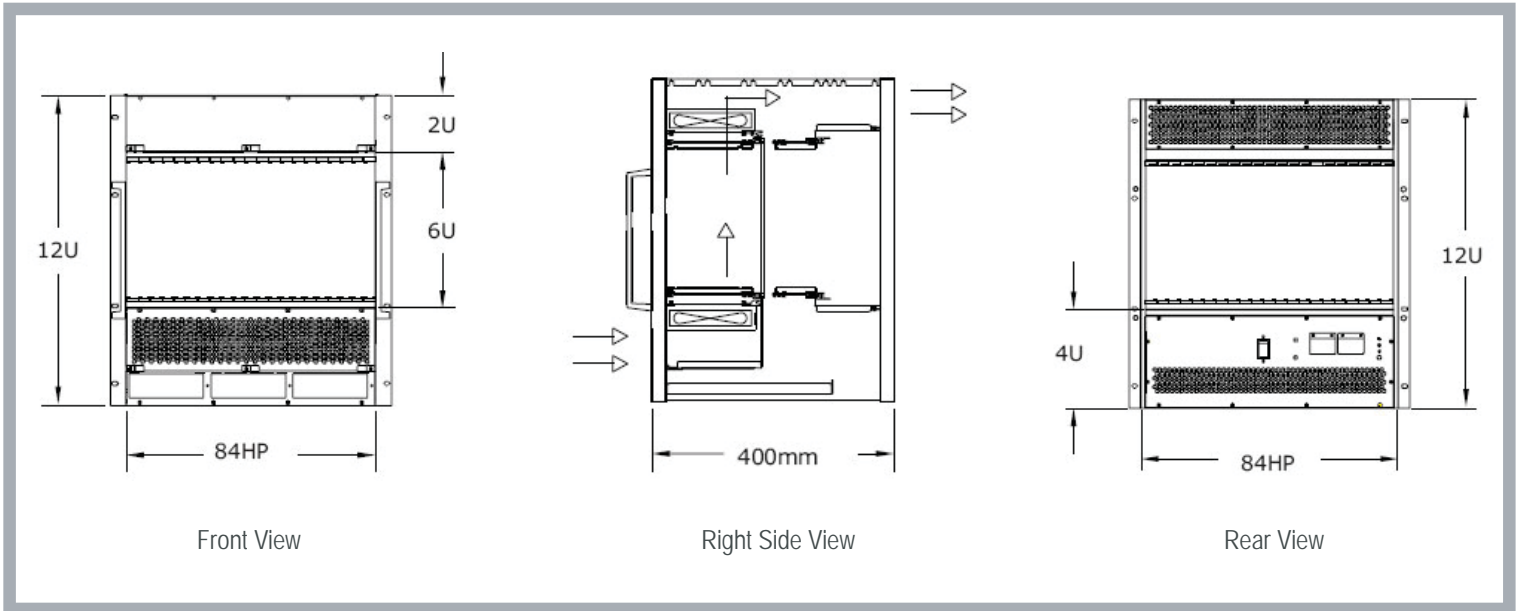
High quality 19" rackmount chassis platform consisting of pre-galvanized steel enclosures, high performance PICMG 2.16 or 2.17 backplane, power supply, redundant push/pull cooling system and AC/DC power components. Assembled, wired and tested prior to shipment.

### Order Information

Description	Model Number
Type 12H, 19" rackmount chassis	12H21FDXC8Y4VQDX
<ul style="list-style-type: none"> <li>• 12U H x 84HP W x 290mm D</li> <li>• 21 slot, 6U x 160mm, front</li> <li>• 21 slot, 6U x 80mm, rear I/O</li> <li>• 21 slot BP, (PICMG 2.16, 2 x FS, wo/H.110)</li> <li>• Front to rear, redundant cooling</li> <li>• 3 x 118 CFM fans (above)</li> <li>• 3 x 118 CFM fans (below)</li> <li>• 3 x 600W PSU's - Plug removable, N+1</li> </ul>	
Type 12H, 19" rackmount chassis	12H17JDXC8Y4VPDX
<ul style="list-style-type: none"> <li>• 12U H x 84HP W x 290mm D</li> <li>• 17 slot, 6U x 160mm, front</li> <li>• 17 slot, 6U x 80mm, rear I/O</li> <li>• 17 slot BP, (PICMG 2.17, 2 x FS)</li> <li>• Front to rear, redundant cooling</li> <li>• 3 x 118 CFM fans (above),</li> <li>• 3 x 118 CFM fans (below)</li> <li>• 2 x 600W PSU's - Plug removable, N+1</li> </ul>	

# TYPE 12H 12U RACKMOUNT

## Line Drawings



## Environmental Specifications

	Operating	Storage/Transit
Temperature:	0°C to +50°C	-20°C to +70°C
Altitude:	6000 ft. (1,829m)	50,000 ft. (15,240m)
Humidity:	5% to 95% Non condensing	5% to 95% Non condensing
Shock:	10 G's @ 11ms	15 G's @ 11ms (per ASTM 0775)
Vibration:	1.0 G's @ 10 to 330 Hz	1.2 G's @ 5 to 330 Hz
Agencies:	Designed to meet UL60952, FCC Class A, A, CE	

# TYPE 12H 12U RACKMOUNT

<b>12C</b>						<b>C</b>	<b>8</b>	<b>Y</b>	<b>4</b>	<b>V</b>				
	1	2	3	4	5	6	7	8	9	10	11	12	13	

## 1,2) Backplane Configuration

- 02 = 2 slot
- 04 = 4 slot
- 06 = 6 slot
- 08 = 8 slot
- 16 = 16 slot
- DD = 4+4
- FF = 6+6
- HH = 8+8

## 3) Bare Board

- A = 6U, Eco, ATX, (RSS)
- B = 3U Rev. 2.0
- C = 6U H.110
- D = 6U (LSS)
- E = 2.16, 1 x FS (no H.110)
- F = 2.16, 2 x FS (no H.110)
- H = 2.16, 2 x FS (w/ H.110)
- I = 2.16, 1 x FS (w/ H.110)
- J = 2.17
- X = No BP installed
- Z = Custom

## 4) BP Connector

- A = P1 & P2 S; No P3,P4, P5
- B = P1 S, P2 L; No P3,P4, P5
- C = P1, P2 & P4 S; P3 & P5 L
- D = P1 & P2 S; P3, P4, P5 L
- E = P1 S; P2, P3, P4, P5 L
- F = P1 & P4 S; P2, P3, P5 L
- G = P1 & P2 S; P3 L, no P4, P5
- H = 2 x PC: P1, P2 & P4 S; P3 & P5 L
- I = 2 x 47 PIN Power
- X = No connectors
- Z = Custom

## 5) Drives

- 1 = 1 X 3.5"
- 2 = 2 X 3.5"
- 3 = 1 X 5.25"HH
- 4 = 2 X 5.25"HH
- 5 = 4 X 5.25"HH
- 6 = 2 X 3.5", 1 X 5.25"HH
- 7 = 1 X 3.5", 2 X 5.25"HH
- 8 = 2 X 3.5", 2 X 5.25"HH
- 9 = 1 X 3.5", 1 X 5.25"HH
- A = 1 x 2.5", 1 X CDR0M (SL)
- B = 2 x 2.5"
- X = Not installed

## 6) Height

- C = 12U

## 7) Width

- 8 = 84T

## 8) Rear IO

- Y = Yes

## 9) Depth

- 4 = 400mm - 499mm

## 10) Card Orientation

- V = Vertical

## 11) PSU Input

- M = 48VDC (2 x HS, N+1)
- P = 90-230VAC (2 x HS, N+1)
- Q = 90-230VAC (3 x HS, N+1)
- S = 48VDC (3 x HS, N+1)
- X = No PSU

## 12) PSU Output

(Note: Not all PSU combinations available)

- D = 600 W (Plug In)
- X = Not installed

## 13) Voltage IO

- 3 = 3.3V
- 5 = 5V
- X = Not installed