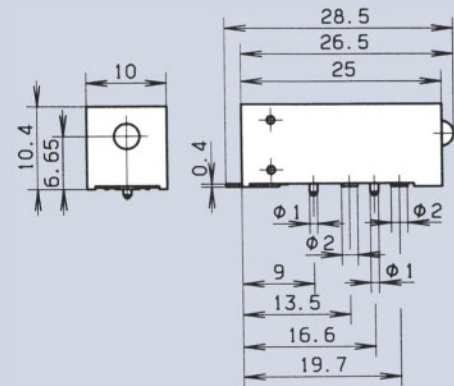


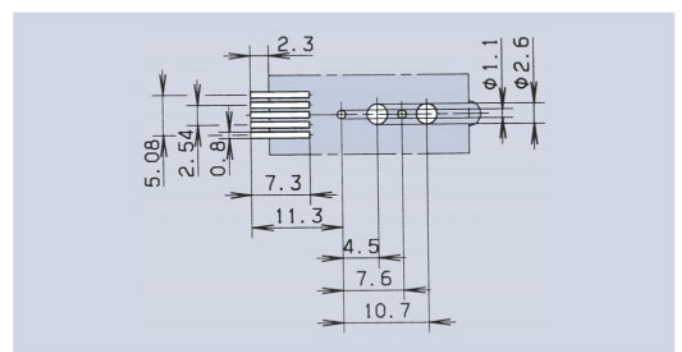
# Kapazitiv-Schalter

# Capacity Switch

Allgemeine Technische Daten	General Technical Data
siehe Seite 7	see page 8
Klima GPF / DIN 40040 (DIN 50010T1)	Climate GPF / DIN 40040 (DIN 50010T1)
Spezifische Technische Daten	Specific Technical Data
Schaltstrom (ohmsche Last): $\leq 200\text{mA}$ open collector	Operating current (ohmic load): $\leq 200\text{mA}$ open collector
Ruhestrom: mit LED = 14mA / ohne LED = 4mA	Static current: with LED = 14mA / without LED = 4mA
Nennspannung: 5-30 Volt DC	Rated voltage: 5-30 Volt DC
Ausgangssignal: siehe Nennspannung oder abweichend: open collector - Ausgang	Output signal: same as rated voltage or different: open collector output
Schutzart: IP 50 DIN 40050 (ohne Verguss) bis IP 65 (je nach Ausführung)	Degree of protection: IP 50 DIN 40050 (without sealed option) up to IP 65 (corresponding to design)
Isolationswiderstand: $> 10^{10} \Omega$	Insulation resistance: $> 10^{10} \Omega$
ESD-fest gegen Front: $\leq 15\text{KV}$ ohne LED / $\leq 4,5\text{KV}$ mit LED	ESD to front: $\leq 15\text{KV}$ without LED / $\leq 4,5\text{KV}$ with LED
Taster oder Schalter: Mode 1 durch Kunde	Push-button or switch: Mode 1 by customer
Empfindlichkeitseinstellung: Mode 2 durch Kunde	Steering of sensitiveness: Mode 2 by customer
Schaltabstand: $\sim 0$ bis 8mm	Detection distance: $\sim 0 - 8\text{mm}$
Kurzschlussfestigkeit: ja	Short circuit resistance: yes
Verpolungsschutz: nein	Reverse battery protection: no
Temperaturkompensation: ja	Temperature compensation: yes
Lebensdauer: min. $10^6$ Zyklen	Life time: min. $10^6$ cycles
Abstand zwischen 2 Elementen: abhängig von Umgebung und Empfindlichkeit	Distance between 2 components: depends on environment and sensitivity
Kalibrierung der Empfindlichkeit: selbstkalibrierend alle 10s	Calibration of sensitivity: selfcalibration every 10s



Art.-Nr.	Active-low	Active-high	Anzeige Display	Fixierpinne Fixing Pins	Lötstützpunkte Soldering Tags	Verguss Sealed
1297.1041	●					
1297.1141	●		●			
<b>1297.1241</b>	●		●	●		
1297.1341	●		●	●	●	
1297.1441	●		●	●	●	●
<b>1297.1541</b>	●			●	●	
1297.1641	●			●	●	
1297.1741	●			●	●	●
<b>1297.1841</b>	●			●	●	
1297.1941	●			●	●	●
1297.2041	●			●	●	●
<b>1297.2141</b>	●		●	●	●	
1297.2241	●		●	●	●	●
1297.2341	●		●	●	●	●
1297.2441	●		●	●	●	●
1297.2541	●			●	●	●
1297.1051		●				
1297.1151		●	●			
<b>1297.1251</b>		●	●	●		
1297.1351		●	●	●	●	
1297.1451		●	●	●	●	●
<b>1297.1551</b>		●		●	●	
1297.1651		●		●	●	
1297.1751		●		●	●	●
<b>1297.1851</b>		●		●	●	
1297.1951		●		●	●	●
1297.2051		●		●	●	●
<b>1297.2151</b>		●	●	●	●	
1297.2251		●	●	●	●	●
1297.2351		●	●	●	●	●
1297.2451		●	●	●	●	●
1297.2551		●		●	●	●



Layoutvorschlag · Layout Suggestion

Blistergurtverpackung DIN EN 60286-3  
Tape and reel packed DIN EN 60286-3  
 $K_0=12,25 \cdot W=44 \cdot P_1=16$   
250 Stück pro Rolle  
250 pieces per reel

Verguss: Staub- und wasserdicht vergossen  
Sealed: resistant to dust and water

Active-low: Betätigung = Ausgang low  
Active-low: operation = low output

Active-high: Betätigung = Ausgang high  
Active-high: operation = high output