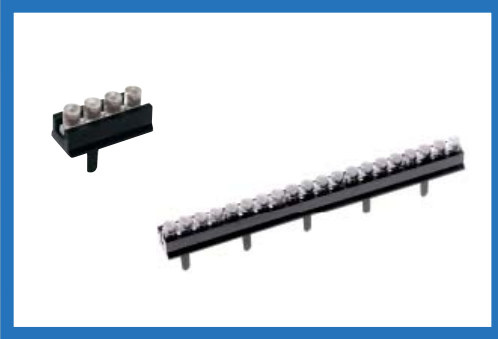
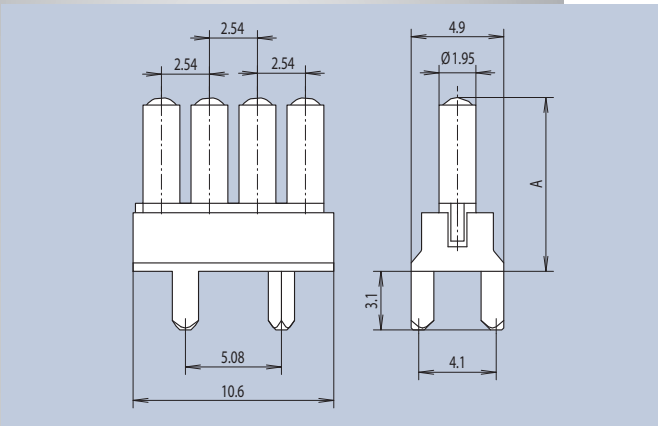


Miniature Multiple Display, upright w. Spherical Radiating Surface Ø2mm



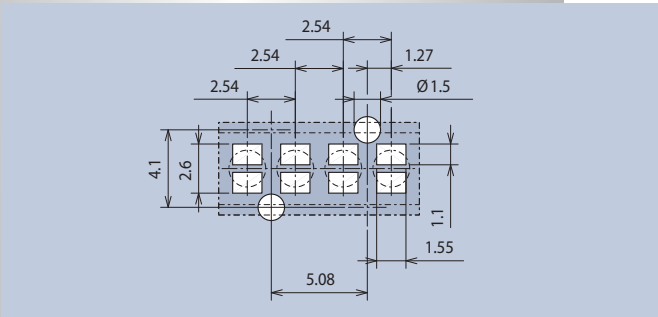
LL-Material: PC clear UL94
 Diaphragm-Material: PC black UL94
 Ambient Temperature: -40°C ... +85°C
 ESD-Protection: <12kV

The light guide has been designed for the use of type 0805 CHIPLEDs or smaller types and can be strip-mounted in a grid dimension of 5,08mm. The system is provided with a screen to prevent irradiation, so that also mixed colors can be used. The diaphragm ensures the tight fit of the light guide and fixes the guide via two press-in lugs on the printed circuit board. The length A of the light guide is variably available, min. 5mm, max. 45mm. As an alternative with regard to the quadruple display, it is also possible to have the component in the same quality with single, double or triple display in the corresponding grid dimension.

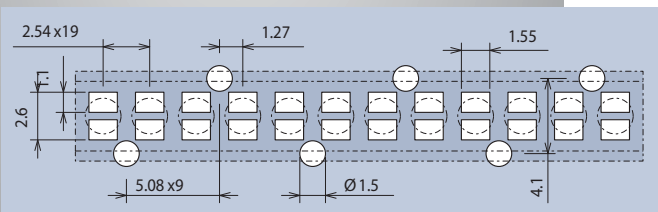
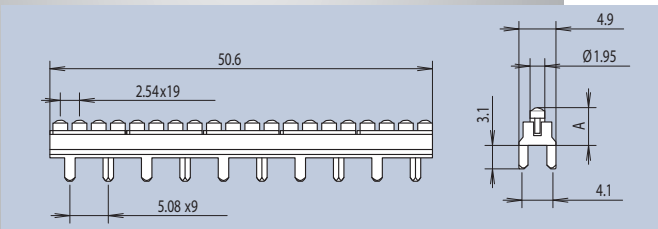


4 fold				
A	L	Recommended LEDs	Art.-Nr.	-
5	10,6	R4 - R7 · R14 - R16	1296.2004	-
45	10,6	R4 - R7 · R14 - R16	1296.3004	-
20-fach · 20 fold				
A	L	Recommended LEDs	Art.-Nr.	-
5	50,6	R4 - R7 · R14 - R16	1296.2020	-
45	50,6	R4 - R7 · R14 - R16	1296.3020	-

Minimum quantity for special length = 3.000 pieces / on request



Layout Suggestion 4 fold



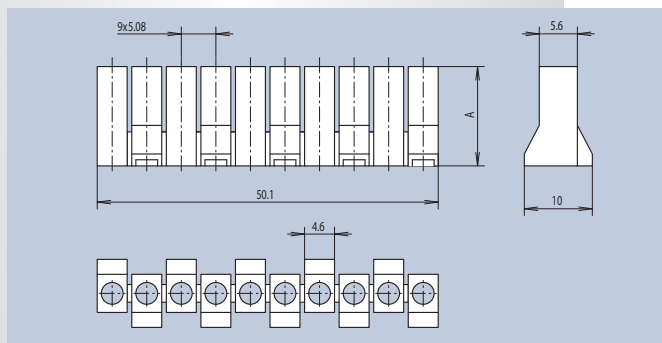
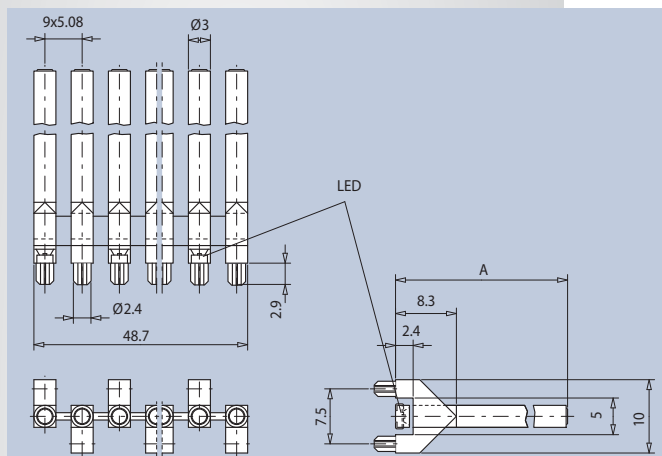
Layout Suggestion 20 fold

Multiple Displays, upright Ø3mm

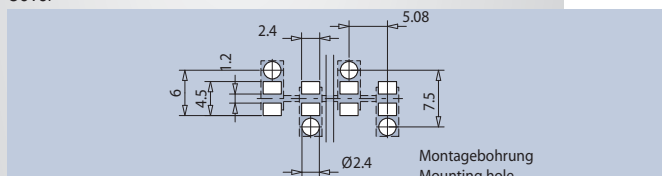


LL-Material: PC clear UL94
Ambient Temperature: -40°C ... +85°C
ESD-Protection: <12kV

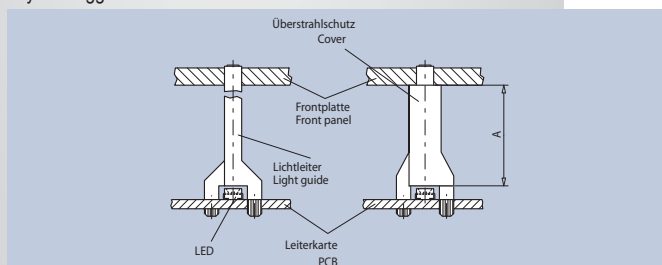
This light guide system for upright mounting provides light in form of a Ø3mm LED on the front panel. The light guide is held in place on the printed board via press-in lugs. The length A of the light guide is variable from 9-45mm. The light guide is used in conjunction with SMD LEDs. The system is available from 2-fold up to 10-fold, e.g. as a bargraph display.



Cover



Layout Suggestion

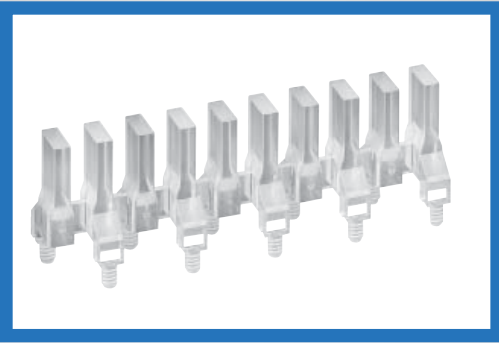


Mounting Example

x-fold Display	A	Recommended LEDs	Art.-Nr.
2	15	L1 - L12	1272.1012
3	15	L1 - L12	1272.1013
4	15	L1 - L12	1272.1014
5	15	L1 - L12	1272.1015
6	15	L1 - L12	1272.1016
7	15	L1 - L12	1272.1017
8	15	L1 - L12	1272.1018
9	15	L1 - L12	1272.1019
10	15	L1 - L12	1272.1010
10	9,6	Cover	1272.0010
2	30	L1 - L12	1272.1022
3	30	L1 - L12	1272.1023
4	30	L1 - L12	1272.1024
5	30	L1 - L12	1272.1025
6	30	L1 - L12	1272.1026
7	30	L1 - L12	1272.1027
8	30	L1 - L12	1272.1028
9	30	L1 - L12	1272.1029
10	30	L1 - L12	1272.1020
10	24,6	Cover	1272.0020
2		L1 - L12	1272.1032
3	45	L1 - L12	1272.1033
4	45	L1 - L12	1272.1034
5	45	L1 - L12	1272.1035
6	45	L1 - L12	1272.1036
7	45	L1 - L12	1272.1037
8	45	L1 - L12	1272.1038
9	45	L1 - L12	1272.1039
10	45	L1 - L12	1272.1030
10	39,6	Cover	1272.0030

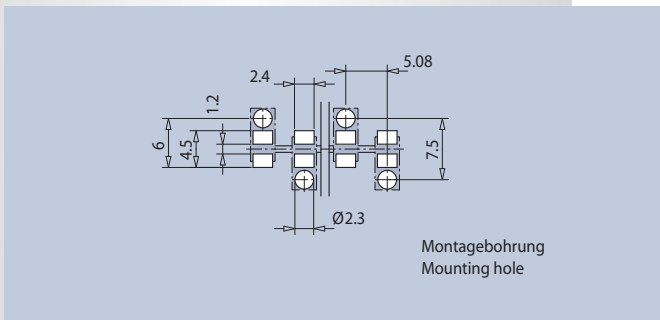
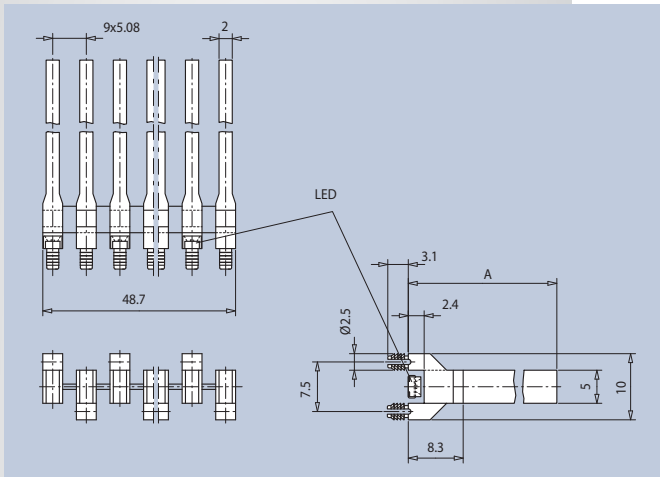
Minimum quantity for 2- up to 9-fold displays = 1.000 pieces
Special lengths on request

Multiple Displays, upright 2 x 5mm

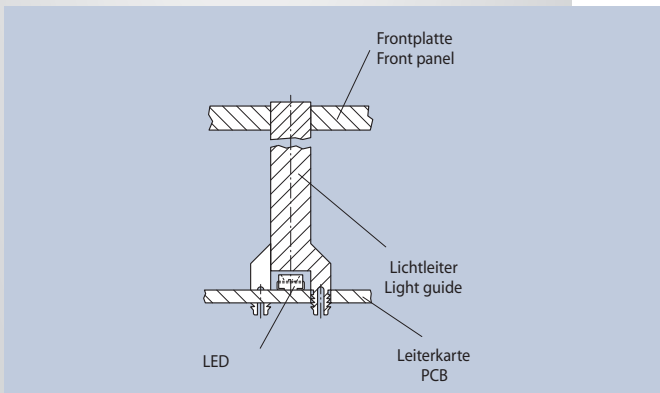


LL-Material: PC clear UL94
Ambient Temperature: -40°C ... +85°C
ESD-Protection: <12kV

This light guide system for upright mounting provides light in form of a 2x5mm LED on the front panel. The light guide is held in place on the printed board via press-in lugs. The length A of the light guide is variable from 9-45mm. The light guide is used in conjunction with SMD LEDs. The system is available from 2-fold up to 10-fold, e.g. as a bargraph display.



Layout Suggestion



Mounting Example

x-fold Display	A	Recommended LEDs	Art.-Nr.	-
2	15	L1 - L12	1274.1012	-
3	15	L1 - L12	1274.1013	-
4	15	L1 - L12	1274.1014	-
5	15	L1 - L12	1274.1015	-
6	15	L1 - L12	1274.1016	-
7	15	L1 - L12	1274.1017	-
8	15	L1 - L12	1274.1018	-
9	15	L1 - L12	1274.1019	-
10	15	L1 - L12	1274.1010	-
2	30	L1 - L12	1274.1022	-
3	30	L1 - L12	1274.1023	-
4	30	L1 - L12	1274.1024	-
5	30	L1 - L12	1274.1025	-
6	30	L1 - L12	1274.1026	-
7	30	L1 - L12	1274.1027	-
8	30	L1 - L12	1274.1028	-
9	30	L1 - L12	1274.1029	-
10	30	L1 - L12	1274.1020	-
2	45	L1 - L12	1274.1032	-
3	45	L1 - L12	1274.1033	-
4	45	L1 - L12	1274.1034	-
5	45	L1 - L12	1274.1035	-
6	45	L1 - L12	1274.1036	-
7	45	L1 - L12	1274.1037	-
8	45	L1 - L12	1274.1038	-
9	45	L1 - L12	1274.1039	-
10	45	L1 - L12	1274.1030	-

Minimum quantity for 2- up to 9-fold displays = 1.000 pieces
Special lengths on request