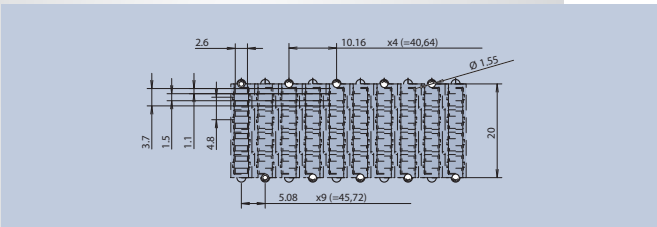
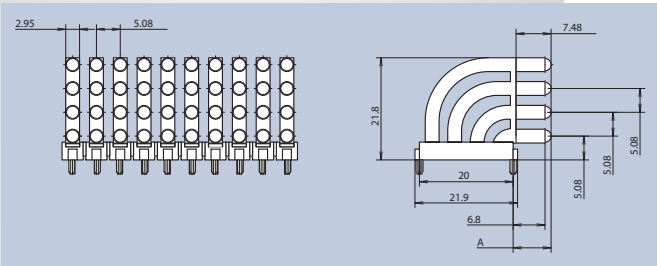


# Multiple Display, lying with Spherical Radiating Surface Ø3mm



LL-Material: PC clear UL94  
 Diaphragm-Material: PC black UL94  
 Ambient Temperature: -40°C ... +85°C  
 ESD-Protection: <12kV

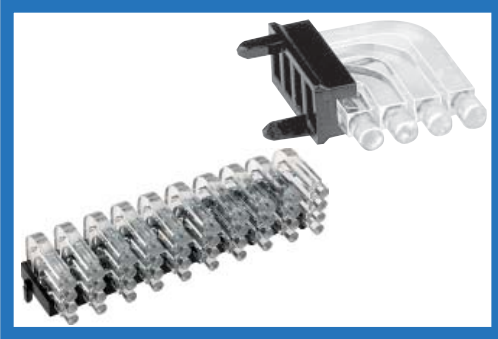
The light guide is held in place on the printed board via two press-in lugs. The system is provided with a screen to prevent irradiation, so that also mixed colors can be used. The light guide is used in conjunction with SMD LEDs. The distance from light guide to light guide is 3.8mm.



Layout Suggestion

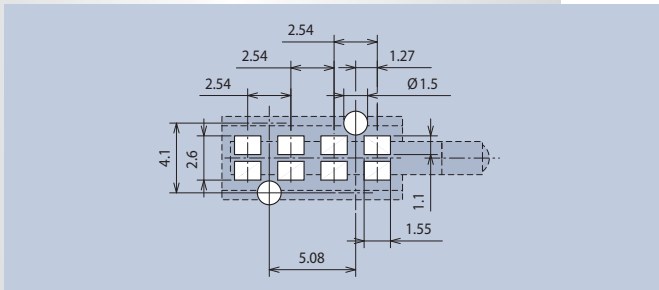
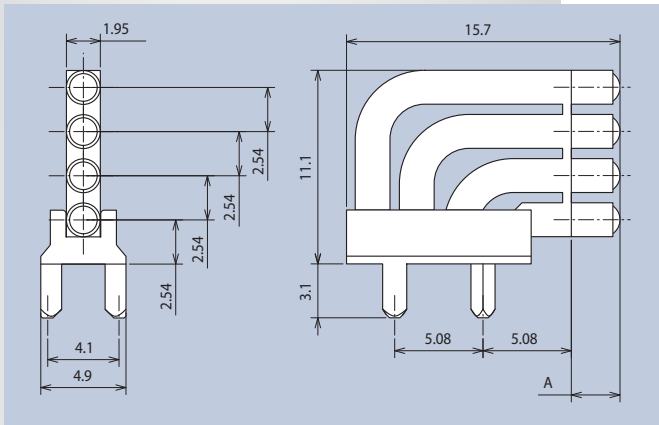
Recommended LEDs	Art.-Nr.	x-fold Display
L1 - L12	1279.1001	4
L1 - L12	1279.1002	8
L1 - L12	1279.1003	12
L1 - L12	1279.1004	16
L1 - L12	1279.1005	20
L1 - L12	1279.1006	24
L1 - L12	1279.1007	28
L1 - L12	1279.1008	32
L1 - L12	1279.1009	36
L1 - L12	1279.1010	40

# Miniature Multiple Display, lying w. Spherical Radiating Surface Ø2mm

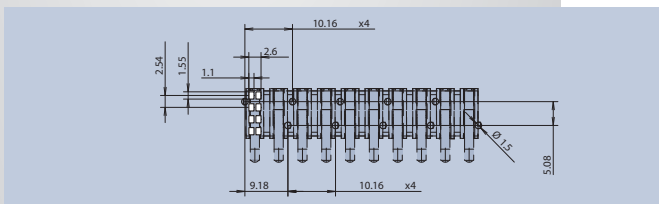
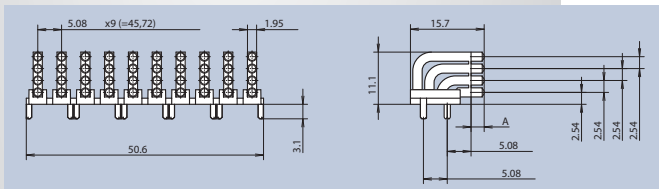


LL-Material: PC clear UL94  
 Diaphragm-Material: PC black UL94  
 Ambient Temperature: -40°C ... +85°C  
 ESD-Protection: <8kV

The light guide has been designed for the use of type 0805 CHIPLEDS or smaller types and can be strip-mounted in a grid dimension of 5,08mm. The system features a diaphragm to avoid blooming, so that blended colors are also possible. The diaphragm ensures the tight fit of the light guide and fixes the guide via two press-in lugs on the printed circuit board. The length A of the light guide is variably available from 2,8 to 12,8mm. As an alternative with regard to the quadruple display, it is also possible to have the component in the same quality with single, double or triple up to 40-fold display in the corresponding grid dimension.



Layout Suggestion



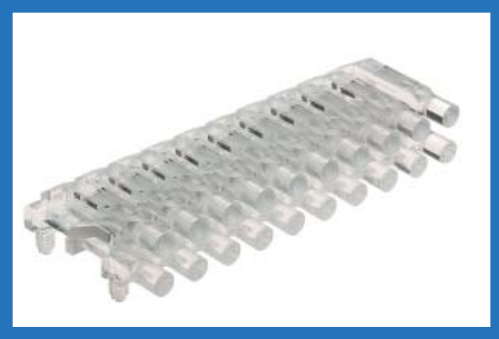
Layout Suggestion

A	Recommended LEDs	Art.-Nr.
2,8	R4 - R7 · R14 - R16	1296.1004

Minimum quantity for special length = 3.000 pieces / on request

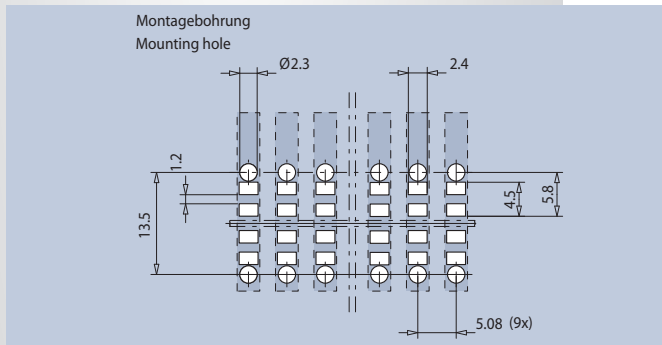
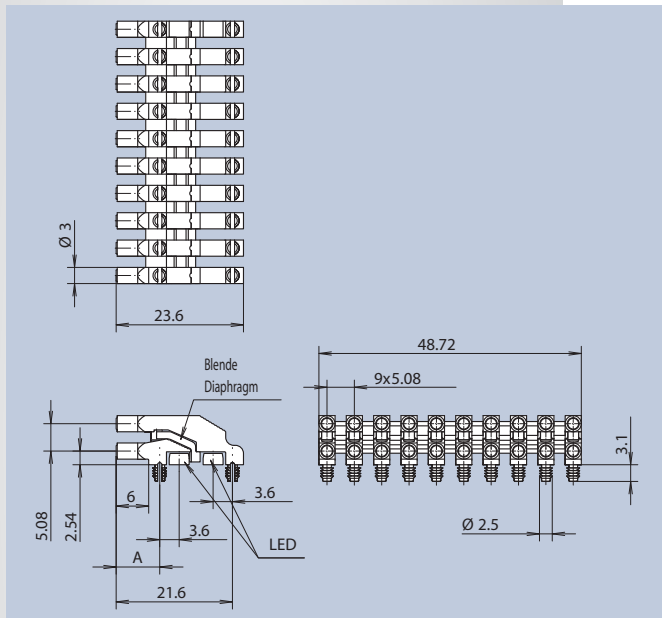
A	x-fold Display	Recommended LEDs	Art.-Nr.
2,8	8	R4 - R7 · R14 - R16	1296.1024
2,8	12	R4 - R7 · R14 - R16	1296.1034
2,8	16	R4 - R7 · R14 - R16	1296.1044
2,8	20	R4 - R7 · R14 - R16	1296.1054
2,8	24	R4 - R7 · R14 - R16	1296.1064
2,8	28	R4 - R7 · R14 - R16	1296.1074
2,8	32	R4 - R7 · R14 - R16	1296.1084
2,8	36	R4 - R7 · R14 - R16	1296.1094
2,8	40	R4 - R7 · R14 - R16	1296.1104

# Multiple Display, lying Double Line Ø3mm

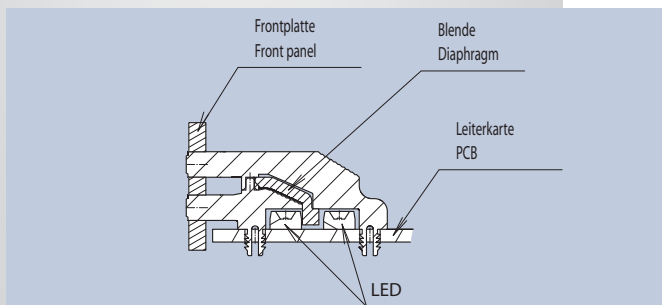


LL-Material: PC clear UL94  
 Diaphragm-Material: PBT white UL94  
 Ambient Temperature: -40°C ... +85°C  
 ESD-Protection: <12kV

The double line light guide system can be used as an FEL substitute in a 5.08 pitch and is held in place on the printed board via press-in lugs. The system is provided with a screen to prevent irradiation, as also mixed colors can be used. The light guides are used in conjunction with SMD LEDs. The light is guided in the form of a Ø3mm light guide parallel to the printed board on the front panel. The system is available from 1-fold to 20-fold. The length A of the light guide is variable from 8.1 - 38mm.



Layout Suggestion



Mounting Example

x-fold Display	A	Recommended LEDs	Art.-Nr.	-
2	8,1	L1 - L12	1270.1001	-
4	8,1	L1 - L12	1270.1002	-
6	8,1	L1 - L12	1270.1003	-
8	8,1	L1 - L12	1270.1004	-
10	8,1	L1 - L12	1270.1005	-
12	8,1	L1 - L12	1270.1006	-
14	8,1	L1 - L12	1270.1007	-
16	8,1	L1 - L12	1270.1008	-
18	8,1	L1 - L12	1270.1009	-
20	8,1	L1 - L12	1270.1010	-

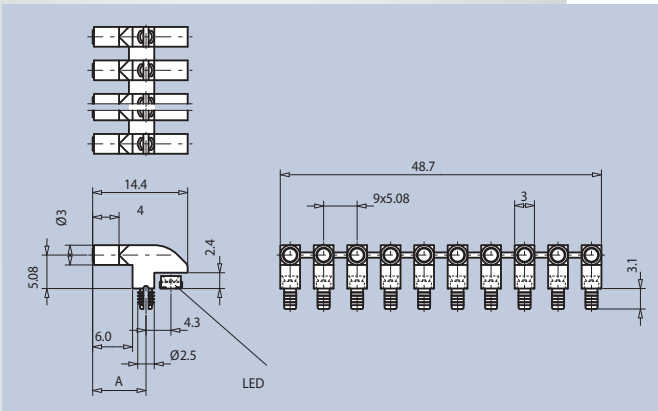
Minimum quantity for 1- up to 19-fold displays = 1.000 pieces  
 Special lengths on request.  
 Light guide and Diaphragm are delivered separately.

# Multiple Display, lying Single Line Ø3mm



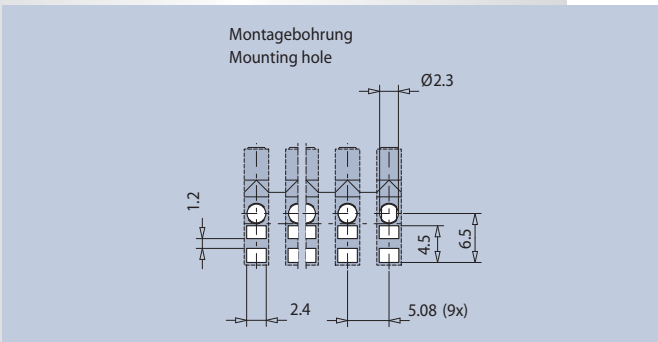
LL-Material: PC clear UL94  
Ambient Temperature: -40°C ... +85°C  
ESD-Protection: <12kV

The single line light guide system can be used as an FEL substitute in a 5.08 pitch and is held in place on the printed board via press-in lugs. The light guides are used in conjunction with SMD LEDs. The light is guided in the form of a Ø3mm light guide parallel to the printed board on the front panel. The system is available from 1-fold to 10-fold. The length A of the light guide is variable from 8.1-45mm.



x-fold Display	A	Recommended LEDs	Art.-Nr.	-
1	8,1	L1 - L12	1271.1001	-
2	8,1	L1 - L12	1271.1002	-
3	8,1	L1 - L12	1271.1003	-
4	8,1	L1 - L12	1271.1004	-
5	8,1	L1 - L12	1271.1005	-
6	8,1	L1 - L12	1271.1006	-
7	8,1	L1 - L12	1271.1007	-
8	8,1	L1 - L12	1271.1008	-
9	8,1	L1 - L12	1271.1009	-
10	8,1	L1 - L12	1271.1010	-

Minimum quantity for 1- up to 9-fold displays = 1.000 pieces  
Special lengths on request



Layout Suggestion