

Light Guides for Front panels IP68-proofed



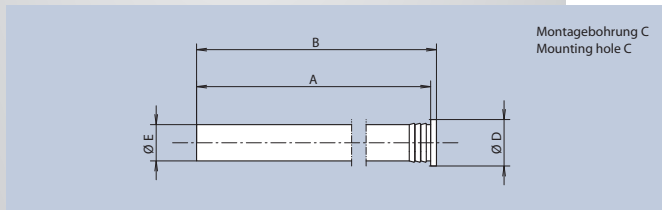
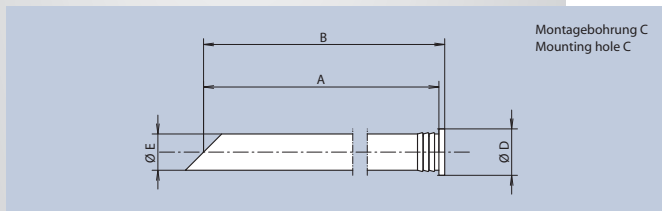
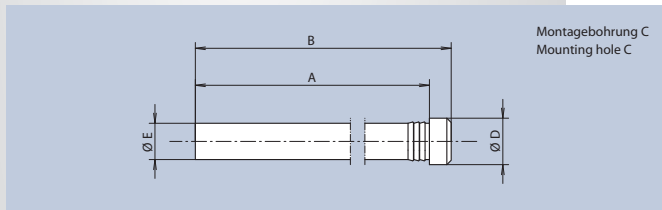
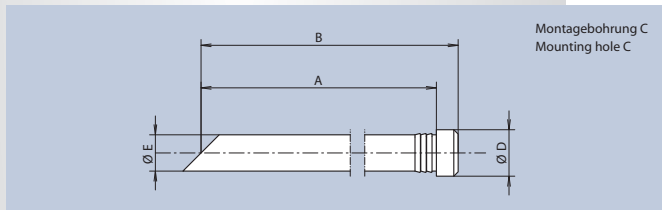
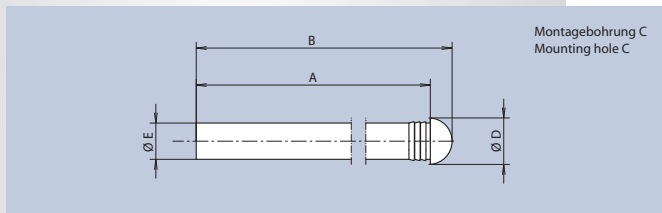
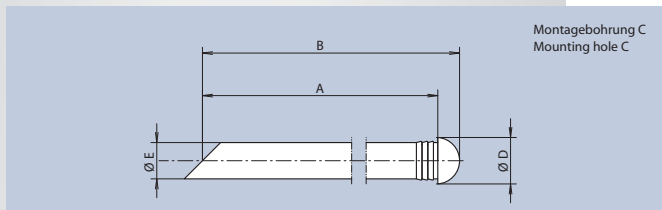
General Remarks and Technical Data

Material: PC clear UL94

Ambient Temperature: -20°C ... +50°C

Thickness of front panel: ≥1mm

The basic light guides of the product lines 1282.xxxx and 1293.xxxx have been developed further into a waterproof version IP68 tested by MENTOR. The outstanding advantages are the waterproof design through a special shaping of the plastic which requires a precise mounting hole C. Naturally, all shapes of the light guide head offered and also the different launch surfaces remain preserved for our customers. Now, we can also offer light guides with a length of up to 100mm as an additional feature. All lengths vary from 4,5mm to 100mm and coloring of the light guides are available on request.

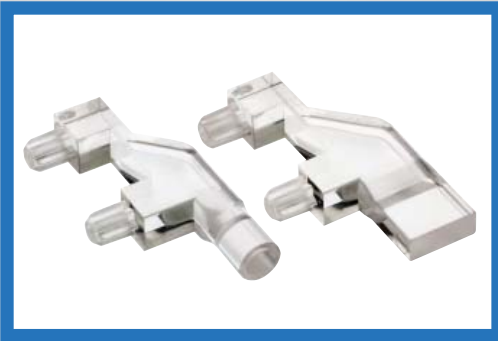


spherical								
A	B	C	D	E	inject face		recommended LEDs	Art.-Nr.
					0°	45°		
45	46,5	Ø1,6 H7	Ø2	Ø1,5	•	-	L1-L12	1292.5001
44,25	45,25	Ø1,6 H7	Ø2	Ø1,5	-	•	L1-L12	1292.7001
45	46,5	Ø2,6 H7	Ø3,2	Ø2,5	•	-	L1-L12	1282.5001
43,75	45,25	Ø2,6 H7	Ø3,2	Ø2,5	-	•	L1-L12	1282.7001
45	46,5	Ø4,6 H7	Ø5	Ø4	•	-	L1-L12	1293.5001
43	45,5	Ø4,6 H7	Ø5	Ø4	-	•	L1-L12	1293.7001

planar								
A	B	C	D	E	inject face		recommended LEDs	Art.-Nr.
					0°	45°		
45	46,5	Ø1,6 H7	Ø2	Ø1,5	•	-	L1-L12	1292.6001
44,25	45,75	Ø1,6 H7	Ø2	Ø1,5	-	•	L1-L12	1292.8001
45	46,5	Ø2,6 H7	Ø3,2	Ø2,5	•	-	L1-L12	1282.6001
43,75	45,25	Ø2,6 H7	Ø3,2	Ø2,5	-	•	L1-L12	1282.8001
45	46,5	Ø4,6 H7	Ø5	Ø4	•	-	L1-L12	1293.6001
43	44,5	Ø4,6 H7	Ø5	Ø4	-	•	L1-L12	1293.8001

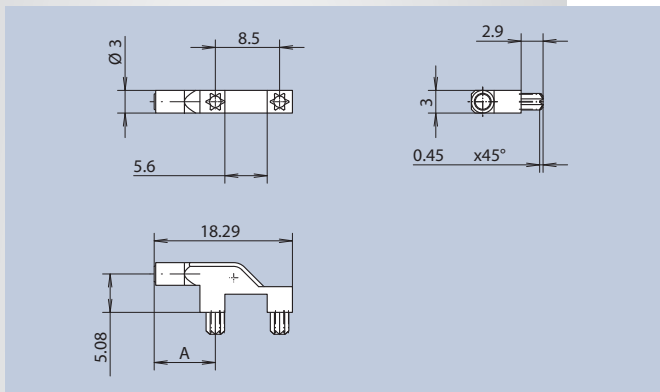
Countersink								
A	B	C	D	E	Einkoppel- fläche inject face		empfohlene LED's recommended LEDs	Art.-Nr.
					0°	45°		
45	45,4	Ø1,6 H7	Ø2	Ø1,5	•	-	L1-L12	1292.1401
44,25	44,65	Ø1,6 H7	Ø2	Ø1,5	-	•	L1-L12	1292.1301
45	45,4	Ø2,6 H7	Ø3,2	Ø2,5	•	-	L1-L12	1282.1401
43,75	44,15	Ø2,6 H7	Ø3,2	Ø2,5	-	•	L1-L12	1282.1301
45	45,4	Ø4,6 H7	Ø5	Ø4	•	-	L1-L12	1293.1401
43	43,4	Ø4,6 H7	Ø5	Ø4	-	•	L1-L12	1293.1301

Light Guide, horizontal 2 x 5mm / Ø3mm



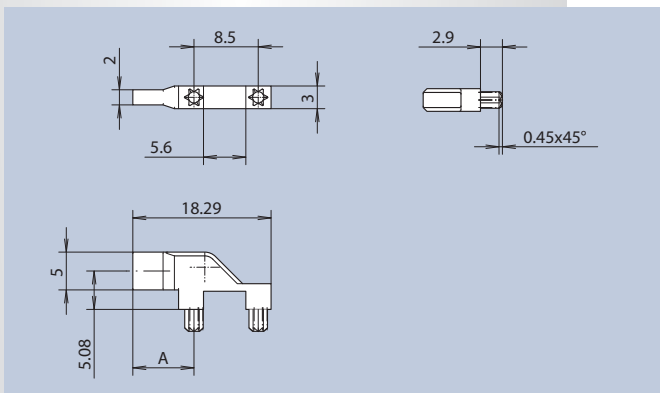
LL-Material: PC clear UL94
 Ambient Temperature: -40°C ... +85°C
 ESD-Protection: 6,5 ... <12kV

This light guide is held by means of two spigots in the circuit card. The system can be strip-mounted in grid dimensions of FEL. The light guides are used in connection with SMD LEDs. The light is led in form of a light guide by 2 x 5mm and/or Ø3mm parallel to the circuit card to the front plate. The length A of the light guide is variable available by 8,1-45mm.



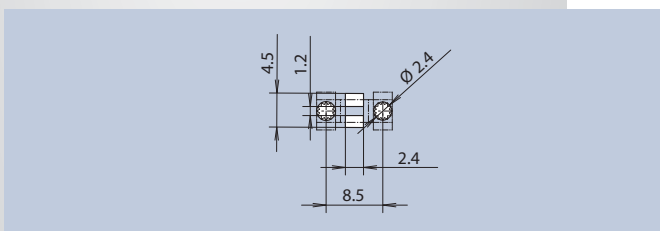
A	Recommended LEDs	Art.-Nr.
8,1	L1 - L12	1271.1000

Minimum quantity for special length = 3.000 pieces / on request



A	Recommended LEDs	Art.-Nr.
8,1	L1 - L12	1273.1001

Minimum quantity for special length = 3.000 pieces / on request



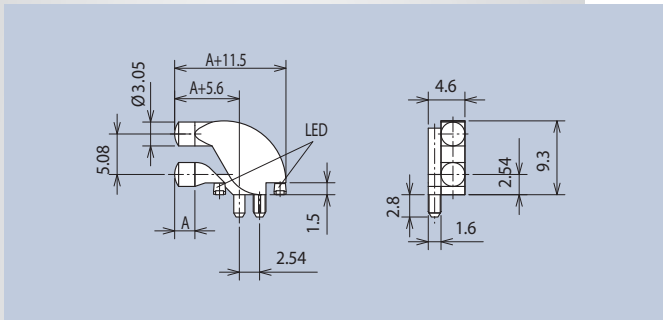
Layout Suggestion

2-fold Displays, lying w. Spherical Radiating Surface Ø3mm



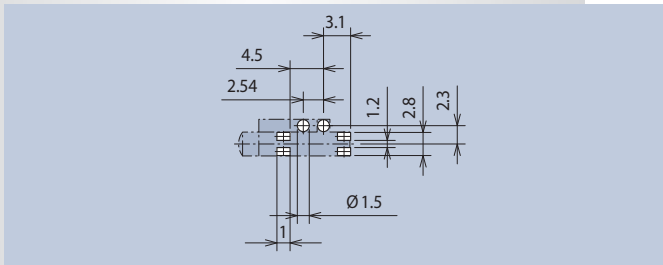
LL-Material: PC clear UL94
 Ambient Temperature: -40°C ... +85°C
 ESD-Protection: 6,5 ... <12kV

The light guide can be used as a FEL substitute and so arranged end to end to similar or other FEL-components. The ESD-strength is 6,5kV at a length A of 2.5mm. The ESD-strength increases per millimetre length by about 1kV. The light guide is held in place on the printed board via two press-in lugs. The light guide take place in conjunction with SMD LEDs of type Mini TOPLED. The light guide length A is available in the dimensions of 0.5 to 20mm.



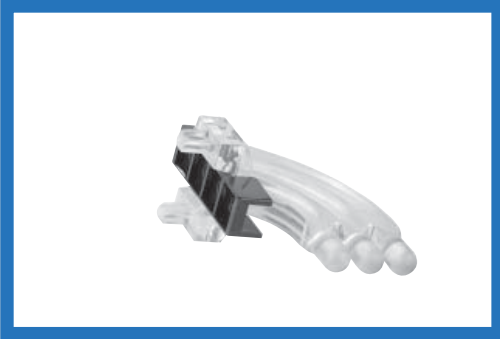
A	Recommended LEDs	Art.-Nr.
2,5	www.osram-os.com	1280.1010
6	www.osram-os.com	1280.1020

Minimum quantity for special length = 3.000 pieces / on request



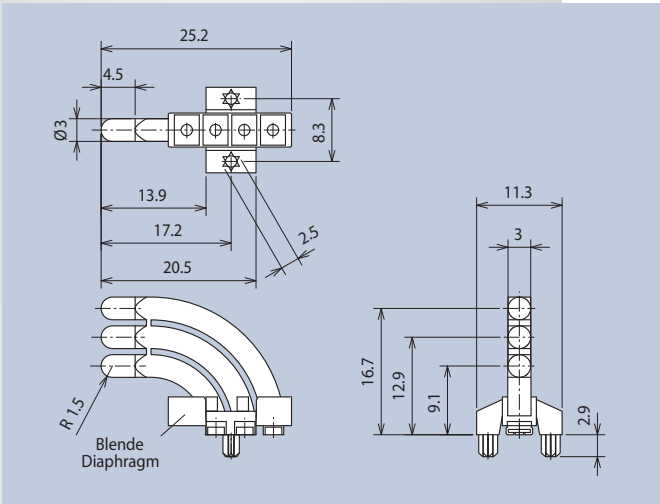
Layout Suggestion

3-fold Displays, lying w. Spherical Radiating Surface Ø3mm

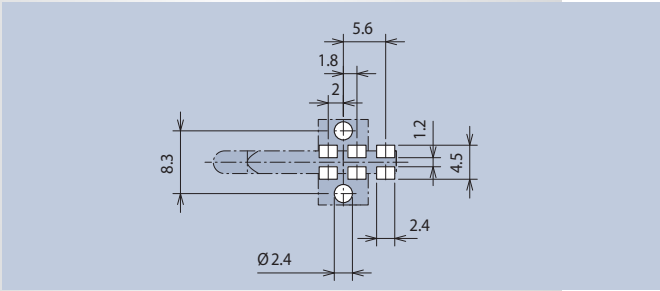


LL-Material: PC clear UL94
 Diaphragm-Material: PC black UL94
 Ambient Temperature: -40°C ... +85°C
 ESD-Protection: <12kV

The light guide is held in place on the printed board via two press-in lugs. The system is provided with a screen to prevent irradiation, so that also mixed colors can be used. The light guide is used in conjunction with SMD LEDs. The distance from light guide to light guide is 3.8mm.

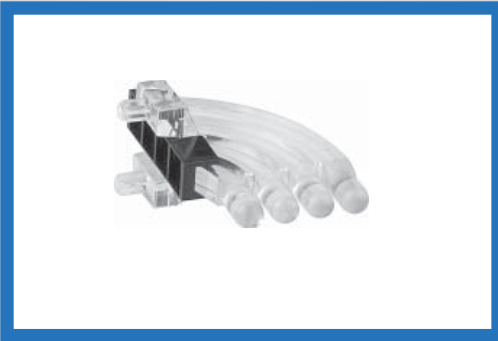


Recommended LEDs	Art.-Nr.	-
L1 - L12	1276.1003	-



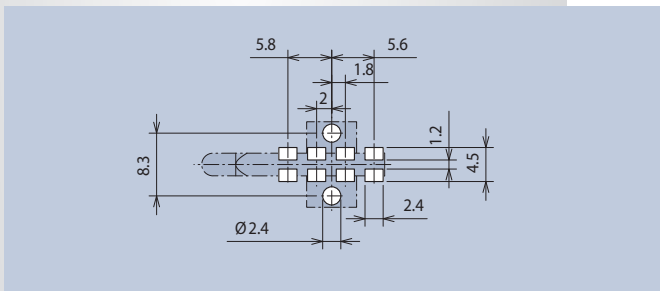
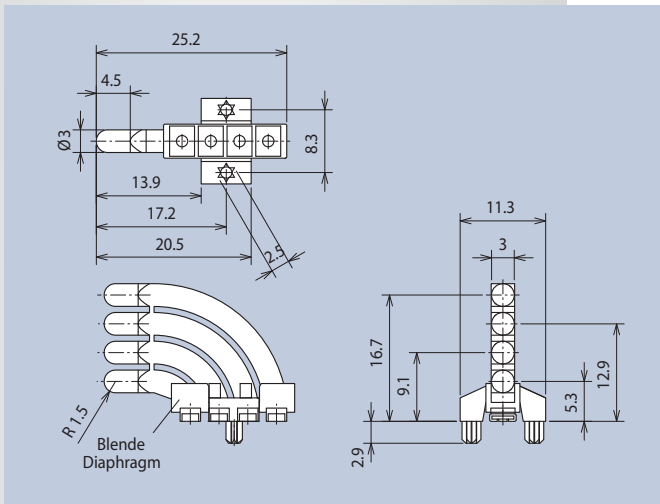
Layout Suggestion

4-fold Display, lying w. Spherical Radiating Surface Ø3mm



LL-Material: PC clear UL94
 Diaphragm-Material: PC black UL94
 Ambient Temperature: -40°C ... +85°C
 ESD-Protection: <12kV

The light guide is held in place on the printed board via two press-in lugs. The system is provided with a screen. The light guide is held in place on the printed board via two press-in lugs. The system is provided with a screen to prevent irradiation, so that also mixed colors can be used. The light guide is used in conjunction with SMD LEDs. The distance from light guide to light guide is 3.8mm.



Layout Suggestion

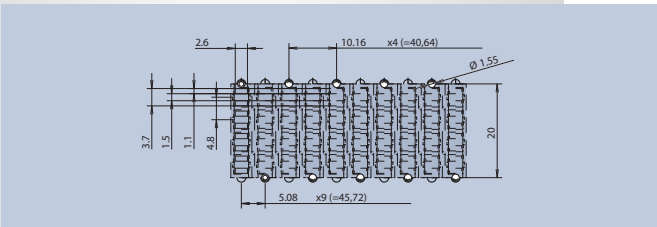
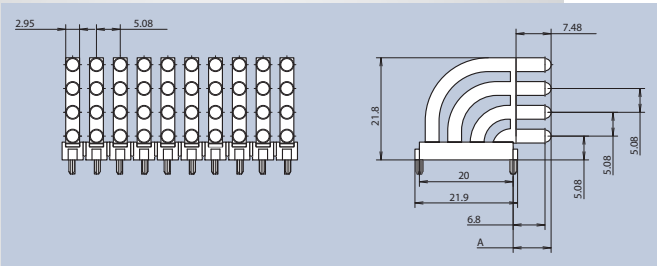
Recommended LEDs	Art.-Nr.	-
L1 - L12	1276.1004	-

Multiple Display, lying with Spherical Radiating Surface Ø3mm



LL-Material: PC clear UL94
 Diaphragm-Material: PC black UL94
 Ambient Temperature: -40°C ... +85°C
 ESD-Protection: <12kV

The light guide is held in place on the printed board via two press-in lugs. The system is provided with a screen to prevent irradiation, so that also mixed colors can be used. The light guide is used in conjunction with SMD LEDs. The distance from light guide to light guide is 3.8mm.



Layout Suggestion

Recommended LEDs	Art.-Nr.	x-fold Display
L1 - L12	1279.1001	4
L1 - L12	1279.1002	8
L1 - L12	1279.1003	12
L1 - L12	1279.1004	16
L1 - L12	1279.1005	20
L1 - L12	1279.1006	24
L1 - L12	1279.1007	28
L1 - L12	1279.1008	32
L1 - L12	1279.1009	36
L1 - L12	1279.1010	40